

# KUGEL FOUNTAIN



MATTHEW 28: 18-20

CALIFORNIA BAPTIST  
UNIVERSITY  
RIVERSIDE, CALIFORNIA

## Prepared By:

Red Hogan Enterprises Inc.  
3109 E. 4th Ave.  
Tampa, FL 33605  
tel: 800.919.0080  
fax: 813.248.3671  
e.mail: rhekugel@aol.com  
web: www.kugel.com

## Prepared For:

California Baptist University  
8432 Magnolia Ave.  
Riverside, CA  
92504

Judy Castle & Kuss USA  
1991

# Red Hogan Enterprises, Inc.

P.O. Box 13201 - Tampa, FL 33681 - Tel: (800)919-0080 - Fax: (813)248-3671  
E-MAIL RHEKUGEL@AOL.COM

## GENERAL PIPING NOTES

- IT IS THE INSTALLING CONTRACTOR'S RESPONSIBILITY TO VERIFY ALL FIELD DIMENSIONS CRITICAL TO FOUNTAIN EQUIPMENT INSTALLATION AND PERFORMANCE AND REPORT ANY DISCREPANCIES, IN WRITING, TO GENERAL CONTRACTOR AND/OR OWNERS.
- IT IS THE RESPONSIBILITY OF THE INSTALLING CONTRACTOR TO CHECK AND COMPLY WITH ALL PLUMBING CODES PRIOR TO INSTALLATION OF EQUIPMENT.
- INTERCONNECTING PIPING BETWEEN THE FOUNTAIN AND PUMP MUST BE SCHEDULE 40 PVC SUITABLE FOR THE WORKING PRESSURES OF THE SYSTEM AND OR TO COMPLY WITH ANY LOCAL CODES.
- ALL PIPE CONNECTIONS BETWEEN DISSIMILAR METALS MUST BE MADE WITH DIELECTRIC FITTINGS.
- USE LONG RADIUS ELBOWS ON ALL DIRECTIONAL CHANGES ON SUCTION AND DISCHARGE LINES. IN SOME INSTANCES, PIPING DIAGRAMS ARE EXAGGERATED FOR PURPOSES OF CLARITY. MAKE ALL SUCTION AND DISCHARGE PIPE RUNS USING THE MOST DIRECT ROUTES POSSIBLE AND USING THE MINIMUM NUMBER OF FITTINGS POSSIBLE. SUCTION, BLEEDER AND PRESSURE LINES TO HAVE A 2% MINIMUM SLOPE FROM FOUNTAIN TO EQUIPMENT AND/OR RESERVOIR.
- OWNERS TO PROVIDE ADEQUATE OVERFLOW DRAIN AND FILL LINE TO RESERVOIR
- IT IS THE RESPONSIBILITY OF THE INSTALLING CONTRACTOR TO PROVIDE AND INSTALL APPROVED AND ADEQUATE PIPE HANGERS WHERE APPLICABLE.
- PRESSURE TEST ALL PIPING. HYDROSTATIC (WATER) TESTING SHALL BE THE ONLY APPROVED METHOD. DO NOT PRESSURE TEST WITH COMPRESSED AIR AS SEVERE PIPING DAMAGE AND BODILY INJURY CAN OCCUR. DO NOT EXCEED THE RATED OPERATIONAL PRESSURE OF THE PIPING AND/OR FITTINGS CARRYING THE LOWEST PRESSURE RATING.
- INDUSTRY STANDARD FOR "THRUST" BLOCKING IS RECOMMENDED AT ALL DIRECTIONAL CHANGES (TEES, ELBOWS, ETC.). REDUCER FITTINGS AND LINE TERMINATIONS (BUSHINGS AND CAPS, PLUGS, ETC.) AND ANY OTHER PIPING TRANSITIONS SUBJECT TO THRUST FORCES (STEEP INCLINES ETC.) WHEN THE SYSTEM IS IN OPERATION.

### NOTE:

QUESTIONS PERTAINING TO WORK THAT DOES NOT APPEAR TO BE SUFFICIENTLY DETAILED OR EXPLAINED, OR DISCREPANCIES FOUND EXISTING IN OR BETWEEN THE SPECIFICATIONS, DRAWINGS AND/OR FIELD CONDITIONS, SHALL BE REFERRED TO THE ARCHITECT/ENGINEER FOR CLARIFICATION OR CORRECTION AND RED HOGAN ENTERPRISES, INC. NOTIFIED WITH ADEQUATE DOCUMENTATION IMMEDIATELY.

### NOTE:

THE FOUNTAIN MECHANICAL/ELECTRICAL DRAWINGS ARE ESSENTIALLY DIAGRAMMATIC IN NATURE, INTENDED MAINLY TO INDICATE THE SCOPE OF WORK TO BE PERFORMED AND DOES NOT NECESSARILY REFLECT ACTUAL PIPE AND CONDUIT ROUTING. CONTRACTOR/INSTALLER SHALL INSTALL PIPING AND CONDUIT IN THE MOST DIRECT ROUTE POSSIBLE TO AND FROM PUMP ROOM AND FIELD VERIFY WITH ARCHITECT/ENGINEER PRIOR TO INSTALLATION. REFER TO GENERAL PIPING NOTES.

## RESERVOIR INSTALLATION INSTRUCTIONS FOR BELOW GRADE INSTALLATION

- UPON ARRIVAL OF RESERVOIR CHECK BOTH INTERIOR AND EXTERIOR FOR SHIPPING DAMAGE. REPORT ANY DAMAGE FOUND TO THE FREIGHT CARRIER AND RED HOGAN ENTERPRISES, INC. IMMEDIATELY.

IF RESERVOIR IS FREE OF DAMAGE, PROCEED WITH INSTALLATION. IF RESERVOIR IS NOT TO BE INSTALLED IMMEDIATELY STORE IN AN AREA SAFE FROM DAMAGE

- ADEQUATE VENTILATION MUST BE PROVIDED IN THE EQUIPMENT AREA AS WELL AS DRAINAGE TO PREVENT FLOODING AND DAMAGE TO THE TO THE EQUIPMENT

- CONNECT ALL PIPING AND CONDUIT AS REQUIRED TO CONNECTIONS PROVIDED ON THE SKID, RESERVOIR AND KUGEL BASE STONE. CARE SHOULD BE TAKEN NOT TO EXTERNALLY LOAD THE RESERVOIR CONNECTIONS. RESERVOIR SHOULD NOT BE USED TO SUPPORT THE WEIGHT OF THE CONNECTED PIPING.  
IF THE RESERVOIR IS TO BE PLACED BELOW GRADE A STRUCTURAL SLEEVE OR WALL SHOULD BE IN PLACE PRIOR TO THE INSTALLATION OF THE RESERVOIR

- PRESSURE TEST ALL PIPING CONNECTED BETWEEN PUMP AND KUGEL TO INSURE THERE ARE NO LEAKS. DO NOT EXCEED 25 PSI TESTING ON ANY PIPING CONNECTED TO THE EQUIPMENT SKID. PRESSURE TESTING OF EQUIPMENT ABOVE 25 PSI COULD DAMAGE SOME EQUIPMENT AND VOID WARRANTY.

- PROTECT OPEN ENDS OF ANY PIPING STUB-UPS TO PREVENT BACKFILL MATERIAL FROM ENTERING THE PIPE

FAILURE TO PROPERLY PROTECT EQUIPMENT FROM FLOODING AND MOISTURE COULD RESULT IN DAMAGE AND VOID WARRANTY.

### NOTE:

#### ON GRADE INSTALLATION OF RESERVOIR

A HOUSEKEEPING SLAB OF APPROX. 4" THICK IS RECOMMENDED FOR THE SKID PACK.

### NOTE:

AFTER ALL PIPING CONNECTIONS ARE MADE TO THE RESERVOIR AND TESTED, COMPLETELY FILL THE RESERVOIR WITH WATER. INSTALL FORMS TO ALLOW A POUR OF CONCRETE APPROX. 5" TO WITHIN 1' OF THE TOP OF THE RESERVOIR.

## GENERAL ELECTRIC NOTES

### WARNING!!

- THE INSTALLATION OF ELECTRICAL EQUIPMENT AND WIRING IN WATER CAN PRODUCE EXTREME HAZARDS. IT IS THE RESPONSIBILITY OF THE INSTALLING CONTRACTOR TO CONSULT AND COMPLY WITH ALL ELECTRICAL CODES AND SAFETY REGULATIONS PRIOR TO INSTALLATION OF ELECTRICAL EQUIPMENT.
- IT IS THE INSTALLING CONTRACTOR'S RESPONSIBILITY TO VERIFY ALL FIELD DIMENSIONS CRITICAL TO FOUNTAIN EQUIPMENT INSTALLATION AND PERFORMANCE AND REPORT ANY DISCREPANCIES, IN WRITING TO THE ARCHITECT.
- IT IS THE INSTALLING CONTRACTOR'S RESPONSIBILITY TO INSURE THAT ALL ELECTRICAL EQUIPMENT IS INSTALLED AND WIRED BY A QUALIFIED LICENSED ELECTRICIAN. RED HOGAN ENTERPRISES, INC. ASSUMES NO RESPONSIBILITY OR LIABILITY, WHAT-SO-EVER FOR INSTALLATIONS NOT CARRIED OUT BY A QUALIFIED, LICENSED ELECTRICIAN IN ACCORDANCE WITH ALL PROVISIONS OF NEC ARTICLE 680, AND LOCAL SAFETY CODES AND REGULATIONS.
- GROUND FAULT CIRCUIT INTERRUPTERS (G.F.C.I.S) MUST BE INSTALLED IN THE BRANCH CIRCUITS SUPPLYING FOUNTAIN EQUIPMENT. G.F.C.I.S ARE NOT REQUIRED FOR EQUIPMENT OPERATING AT 15 VOLTS OR LESS AND SUPPLIED BY A SUITABLE TRANSFORMER (680-51-A).
- ALL ELECTRICAL EQUIPMENT MUST BE PROPERLY BONDED AND GROUNDED FOR SAFETY (680-53-54 55).
- ALL CONDUIT CONNECTIONS BETWEEN DISSIMILAR METALS MUST BE MADE WITH DIELECTRIC FITTINGS.
- ALL STARTING AND CONTROL EQUIPMENT SUCH AS LOAD CENTER, MOTOR STARTERS, G.F.C.I.S ETC. WILL BE FURNISHED BY THE INSTALLATION CONTRACTOR UNLESS SPECIFICALLY QUOTED FOR AND CLEARLY LABELED ON BLUEPRINTS AS BEING FURNISHED BY RED HOGAN ENTERPRISES, INC.

### NOTE:

ALL FEED ELECTRICAL CONNECTIONS TO THE CONTROL PANEL SHALL BE MADE AND TESTED BY INSTALLING ELECTRICIAN.

### EXCLUSIONS

- ANY MATERIALS OTHER THAN LISTED HEREIN.
- OFF LOADING OF EQUIPMENT SKID OR KUGEL FOUNTAIN AT THE JOB SITE.
- ANY EXCAVATION, TRENCHING, CORE BORING IF APPLICABLE.
- CONCRETE, STEEL WORK OF BACKFILLING.
- INSTALLATION OF EQUIPMENT SKID OR KUGEL FOUNTAIN.
- BACK FLOW PREVENTER, IF APPLICABLE.
- ANY ENGINEERING OF FOOTINGS AND/OR FOUNDATION FOR KUGEL FOUNTAIN.
- ANY ENGINEERING OF BALLAST SLAB OR CONCRETE PROTECTIVE SLEEVE FOR RESERVOIR
- ANY APPLICABLE TAX OR USE TAX, BUYER IS RESPONSIBLE FOR ANY TAXES.

### NOTE:

1. IF LOCAL CODES REQUIRE ANYTHING OTHER THAN THE NATIONAL ELECTRIC CODE FOR CONDUIT, WIRING OR CONTROLS AS NOTED ON THESE DRAWINGS. RED HOGAN ENTERPRISES INC MUST BE NOTIFIED IMMEDIATELY.

2. IF LOCAL CODES REQUIRE ANYTHING OTHER THAN THE PLUMBING MATERIALS AND EQUIPMENT SHOWN ON THESE DRAWINGS, RED HOGAN ENTERPRISES INC. MUST BE NOTIFIED IMMEDIATELY.

### NOTE:

GAUGE SIZE STAINLESS STEEL OR BRASS SHIMS FOR INFINITE LEVELING OF BASE STONE TO BE FURNISHED BY OTHERS.  
NONSHRINK GROUT USED BETWEEN THE TOP OF FOUNDATION AND THE BOTTOM OF THE BASE STONE TO BE FURNISHED AND PLACED BY OTHERS.

### BILL OF MATERIALS

ITEM	QTY	DESCRIPTION
1	1	#120CM (#3' 11-1/4") DIAMETER FLOATING GRANITE SPHERE IN NEW BELFAST BLACK GRANITE, SURFACE POLISHED AND BALANCED WITH WORLD MAP INCLUDING THE CONTINENTS, MAJOR BODIES OF WATER I.E. RIVERS, OCEANS AND MOUNTAIN RANGES ENGRAVED ON THE SPHERE.
2	1	BASE STONE IN TITTLINGER GRANITE, VISIBLE SURFACE TINELY FINISHED, BOTTOM SAWN, ROUND, DIAMETER: #140CM (4' 07-1/8") X 40CM (1' 03-3/4") HIGH. TOP EDGES RADIUS, BOTTOM CHAMFERED. WATER CHANNEL TINELY FINISHED. ENGRAVING OF 10 CM (4") LETTERS: MATTHEW 28: 18-20 ON THE BASE STONE.
3	4	BORINGS, ANCHORS AND RODS TO SECURE THE BASE STONE TO THE FOUNDATION. (FOUNDATION BY OTHERS)
4	1	AUTOMATIC FINE FILTER
5	1	SLING FOR BALL HANDLING
	1	RED HOGAN ENTERPRISES, INC. WILL PROVIDE A SKID PACK, WITH ALL EQUIPMENT INCLUDING PUMP, FILTERS, LIFE GUARD PURIFICATION SYSTEM AND ELECTRIC CONTROL PANEL. SKID IS PRE PLUMBED AND WIRED, TESTED WITH WIRE CONNECTIONS AS WELL AS CONNECTION FOR A REMOTE SWITCH TO CONTROL PANEL BY OTHERS. REMOTE SWITCH, ELECTRIC CONDUIT WIRING AND CONNECTIONS TO THE CONTROL PANEL BY OTHERS. 120 /208 VOLT 3 PHASE A NEUTRAL MUST BE PROVIDED WITH THE WIRING TO OUR CONTROL PANEL BY OTHERS

### WEIGHT:

SPHERE-UNCRATED: 5,000 LBS. APPROXIMATELY  
BASE-UNCRATED: 3461 LBS. APPROXIMATELY  
TOTAL: 8,461 LBS. APPROXIMATELY = 4.24TONS

## KUGEL FLOATING GRANITE BALL FOUNTAIN SPECIAL INSTALLATION INSTRUCTIONS

### CAUTION:

- ANY SHAVING DEBRIS OR SAND IN THE DISCHARGE LINES WILL PREVENT PROPER OPERATION OF FOUNTAIN.
- DO NOT USE A SAW OF ANY KIND TO CUT PIPE.
- A FIXED BLADE TYPE CUTTER SHOULD BE USED. IF BLADE CUTTER IS NOT AVAILABLE FOR LARGER SIZE PIPE A FINE SAW MAY BE USED PROVIDED THAT ALL FOLLOWING PRECAUTIONS BE TAKEN.

### NOTE:

(IF LOCAL CODES PREVENT THE USE OF PVC. PIPING WITHIN A BUILDING, NOTIFY G.C., RED HOGAN AND ARCHITECT.)

- ALL PIPING TO BE SCH 40 PVC.
- ALL PRESSURE PIPING MUST BE THOROUGHLY CLEANED PRIOR TO USING. IT MIGHT BE NECESSARY TO PULL A CLOTH THROUGH EACH LENGTH OF PIPE PRIOR TO FLUSHING TO LOOSEN ANY PARTICLES.
- FLUSH EACH PRESSURE LINE TO KUGEL PRIOR TO FINAL CONNECTION.
- AFTER FLUSHING, ALL PIPING MUST BE PRESSURE TESTED. IT IS THE RESPONSIBILITY OF THE INSTALLATION CONTRACTOR TO COMPLY WITH ALL LOCAL PLUMBING CODES.

### SYSTEM PERFORMANCE:

#### TESTING

- PERFORM TESTS IN THE PRESENCE OF ARCHITECT OR THEIR REPRESENTATIVE FOR DESIGNATED DURATION WITH NO PRESSURE LOSS OR NOTICEABLE LEAKS.
- DO NOT INCLUDE EQUIPMENT IN TESTS WHICH COULD BE DAMAGED BY HIGH PRESSURE.
- FLUSH OUT ALL PIPE LINES WITH CLEAN WATER PRIOR TO PERFORMING TESTS.
- PERFORM TESTS AS FOLLOWS:

SYSTEM	TEST PRESSURE	MEDIUM	DURATION
FRESH WATER	75 PSI	WATER	(4) HOURS
DRAINAGE	10 FT WATER	WATER	(24) HOURS
PRESSURE	65 PSI	WATER	(4) HOURS

- AUTOMATIC MAKE-UP WATER SYSTEM SHALL BE THOROUGHLY TESTED AND OPERATIVE AT THE TIME OF FINAL OBSERVATION.
- AFTER SYSTEM HAS OPERATED FOR ONE WEEK, CONTRACTOR AND/OR OWNER'S REPRESENTATIVE SHALL INSPECT WATER MAKE-UP RATE AND AGREE THAT WATER USAGE IS APPROPRIATE FOR A SYSTEM OF THIS TYPE, AND THAT SUCH RATES ARE NOT INDICATIVE OF EXCESSIVE LEAKAGE FROM THE SYSTEM.



Kugel  
Floating Granite  
Ball Fountain

Red Hogan Enterprises, Inc.  
Exclusive U.S. Distributor  
Box 13201 Tampa, FL 33681 -- 3109 E. 4TH AVENUE 33605  
Tel: (800)919-0080 Fax: (813)248-3671

CALIFORNIA BAPTIST UNIVERSITY  
RIVERSIDE, CALIFORNIA

JOB 2574  
DATE 1/27/03

DRAWN BY  
T.L.H.

CHECKED BY  
M.M.

RH1

### NOTICE:

THIS DRAWING, KNOW HOW AND INFORMATION DISCLOSED HEREIN; ARE THE PROPERTY OF RED HOGAN ENTERPRISES, INC. AND MAY NOT BE USED, COPIED OR DISCLOSED EXCEPT AS AUTHORIZED BY RED HOGAN ENTERPRISES, INC. IN WRITING, UPON DEMAND THE DRAWING AND ALL COPIES HEREOF SHALL BE RETURNED IMMEDIATELY TO RED HOGAN ENTERPRISES, INC.



Kugel  
Floating Granite  
Ball Fountain

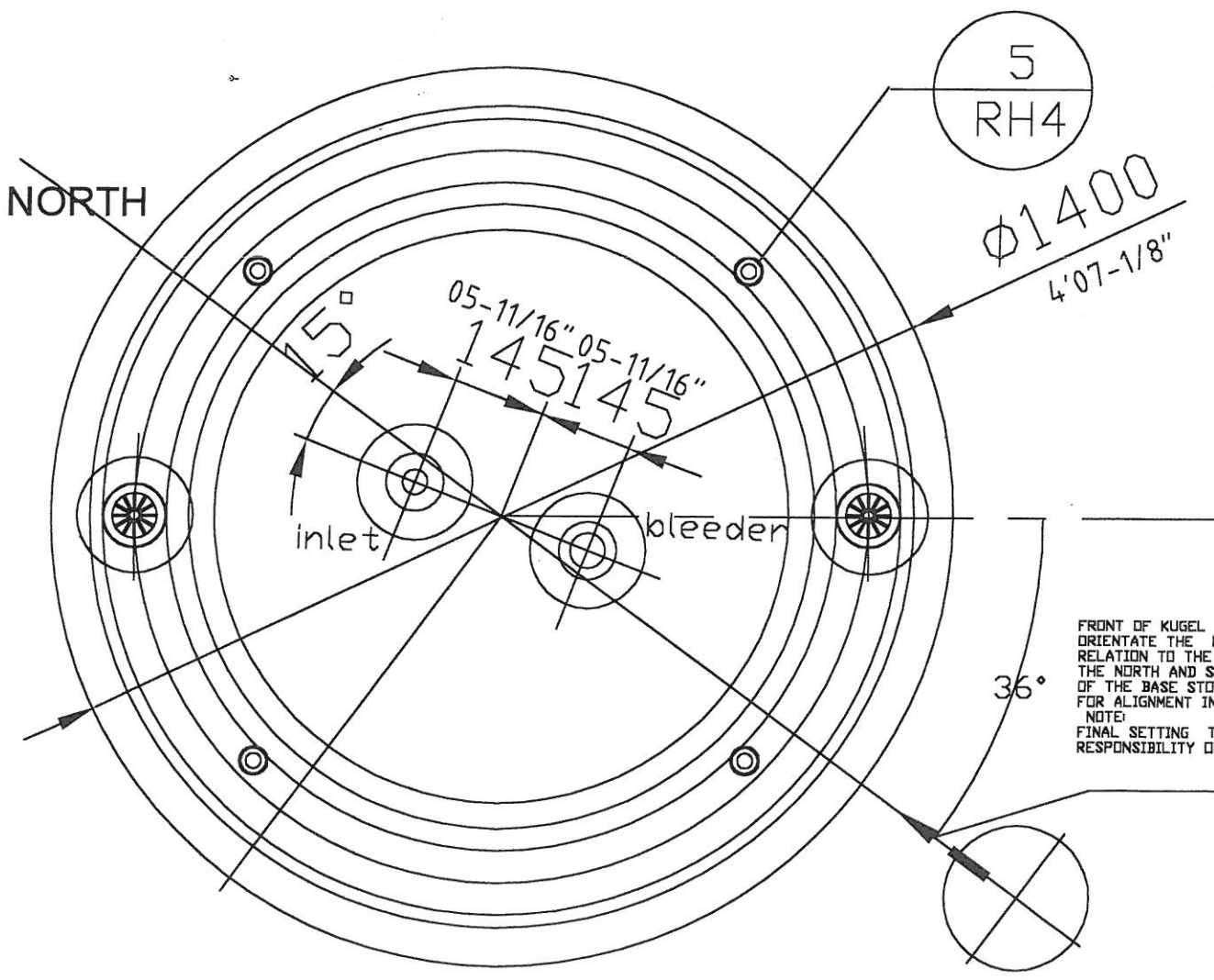
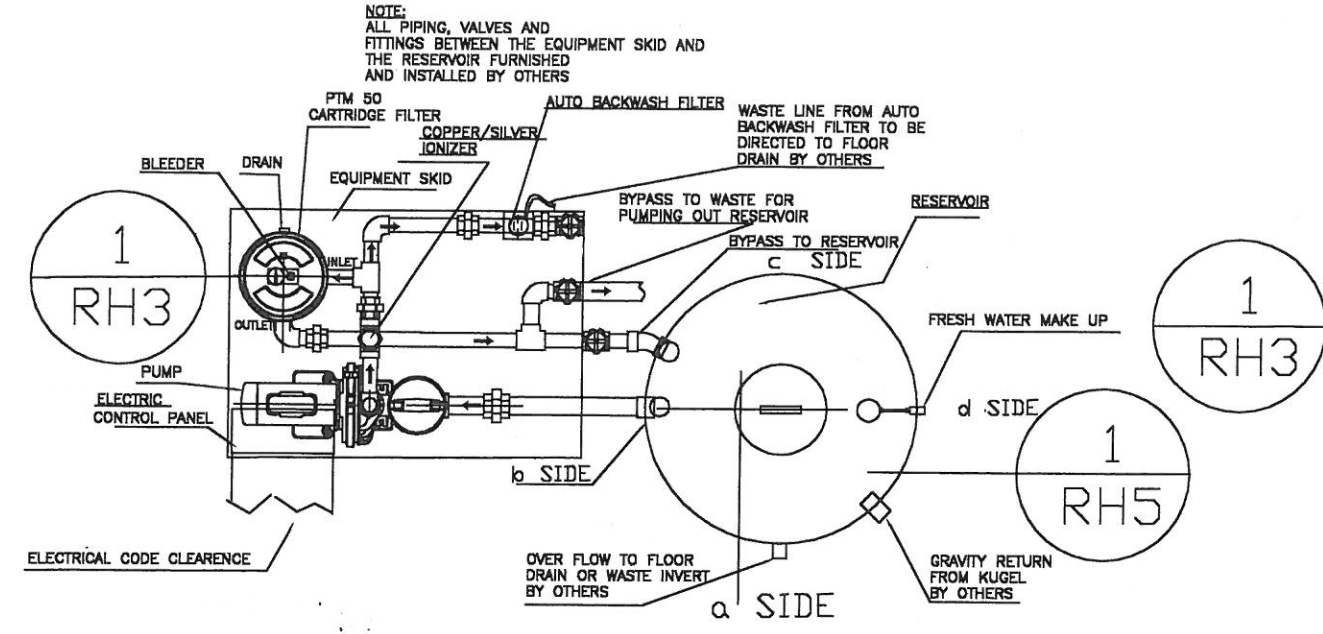
Red Hogan Enterprises, Inc  
Exclusive U.S. Distributor  
Box 13201 Tampa, FL 33681 - 3109 E. 4TH AVENUE 33605  
Tel: (800)919-0080 Fax: (813)248-3671

CALIFORNIA BAPTIST UNIVERSITY  
RIVERSIDE CALIFORNIA

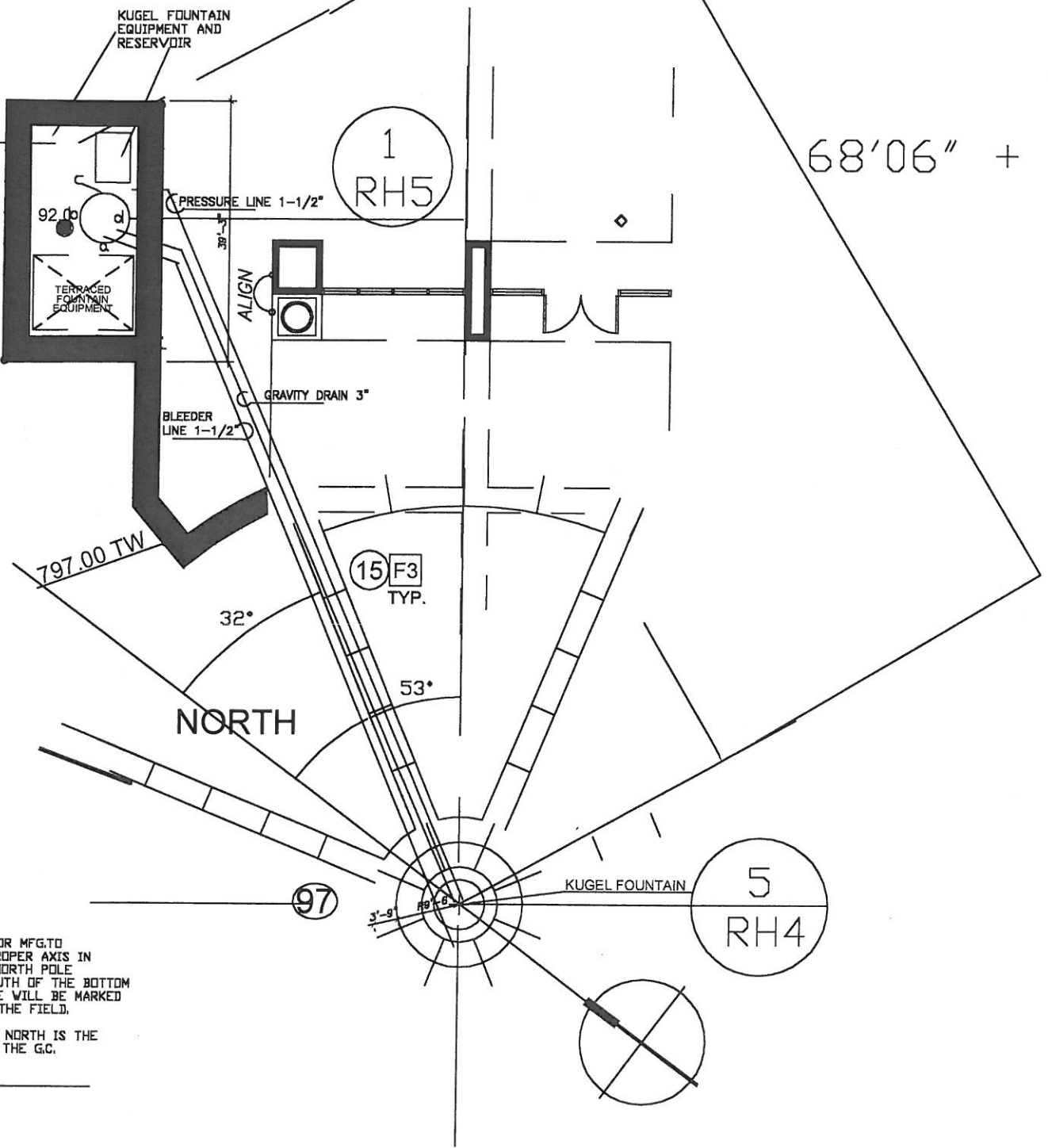
JOB 2574  
DATE 01/27/03

DRAWN BY  
T.L.H.  
CHECKED BY  
M.M.

RH2



FRONT OF WORLD  
MAP FACING NORTH



AS BUILT

FRONT OF KUGEL FOR MFG. TO ORIENTATE THE PROPER AXIS IN RELATION TO THE NORTH POLE THE NORTH AND SOUTH OF THE BOTTOM OF THE BASE STONE WILL BE MARKED FOR ALIGNMENT IN THE FIELD.  
NOTE:  
FINAL SETTING TO NORTH IS THE RESPONSIBILITY OF THE G.C.

NOTICE:  
THIS DRAWING, KNOW HOW AND INFORMATION DISCLOSED HEREIN, ARE THE PROPERTY OF RED HOGAN ENTERPRISES, INC. AND MAY NOT BE USED, COPIED OR DISCLOSED EXCEPT AS AUTHORIZED BY RED HOGAN ENTERPRISES, INC. IN WRITING, UPON DEMAND THE DRAWING AND ALL COPIES HEREOF SHALL BE RETURNED IMMEDIATELY TO RED HOGAN ENTERPRISES, INC.



SKID DESCRIPTION AND EQUIPMENT LIST

SKID MOUNTED PACKAGED FOUNTAIN SYSTEM WITH (2) HORSEPOWER PUMP WITH 100 SQ. FT. CARTRIDGE FILTER WITH HEAVY-DUTY GLASS FILLED THERMOPLASTIC HOUSING, POLYESTER SINGLE ELEMENT FILTER, REPLACEMENT FILTER ELEMENT AND PRESSURE GAUGE ALL VALVES AS REQUIRED, SCHEDULE 40 PVC PIPING AND FITTINGS, AND A NEMA-12 CONTROL PANEL ASSEMBLY WITH GFCI CIRCUIT BREAKERS, MOTOR STARTER FOR ALL PRIMARY FUNCTIONS, ELECTRICAL 3 PHASE WITH NEUTRAL

ALL EQUIPMENT SHALL BE COMPLETELY FACTORY ASSEMBLED, WIRED AND TESTED ; A SILVER COPPER ION GENERATOR WATER TREATMENT SYSTEM, AUTO-BACKWASH KUGEL STRAINER, VALVES IN THE EQUIPMENT AREA ARE PROVIDED TO EVACUATE THE DISCHARGE PIPING AND BLEEDER LINE AND BYPASS LINE TO FLOOR DRAIN BY OTHERS SHALL INCLUDE A FREE STANDING 400 GALLON CROSS LINK POLYPROPYLENE RESERVOIR INCLUDING MECHANICAL AUTO-FILL AND OVERFLOW, PROPER VENTILATION AND A 3' FLOOR DRAIN WILL BE REQUIRED IN THE EQUIPMENT ROOM.

THIS EQUIPMENT SKID IS SUPPLIED USING SCHEDULE 40 PVC PIPE AND FITTINGS, IF FOR ANY REASON THROUGH LOCAL OR STATE REGULATIONS REQUIRE OTHER THAN PVC RED HOGAN ENTERPRISES INC. WILL QUOTE USING THE SPECIFIED MATERIALS.

BACKFILL INSTRUCTIONS FOR TRENCH SEE RH1

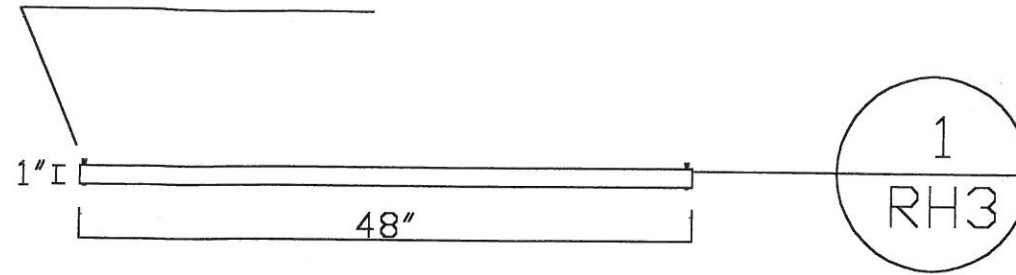
NOTE:

ANY PIPE, VALVES OR FITTINGS SHOWN ON DRAWING THAT ARE NOT ON THE EQUIPMENT SKID ARE NOT FURNISHED BY RED HOGAN ENTERPRISES INC.

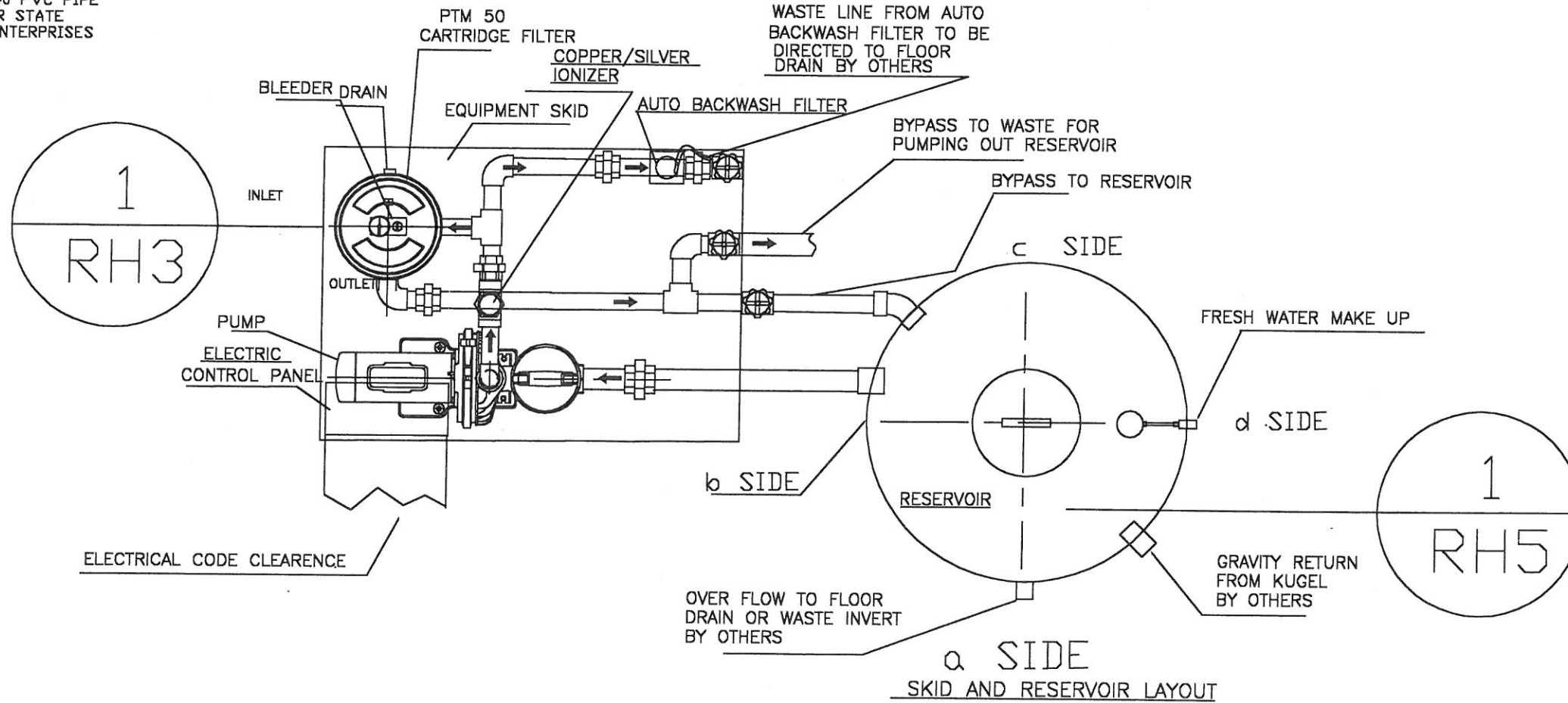
ALL PIPING, VALVES AND FITTINGS BETWEEN THE KUGEL, EQUIPMENT SKID AND THE RESERVOIR FURNISHED AND INSTALLED BY OTHERS

EQUIPMENT SKID  
1/8"X34"X48"X1" HIGH  
STEEL PLATE SHOP COAT  
WITH PRIMER AND 4 EACH  
1/2" STAINLESS STEEL  
LEVELING BOLTS

LEVELING BOLTS TYP. (4) PLACES



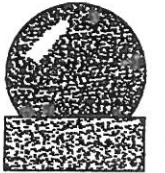
NOTE:  
ALL PIPING, VALVES AND FITTINGS BETWEEN THE EQUIPMENT SKID AND THE RESERVOIR FURNISHED AND INSTALLED BY OTHERS



NOT TO SCALE

AS BUILT

*Call  
813 541 - 8264*



Kugel  
Floating Granite  
Ball Fountain

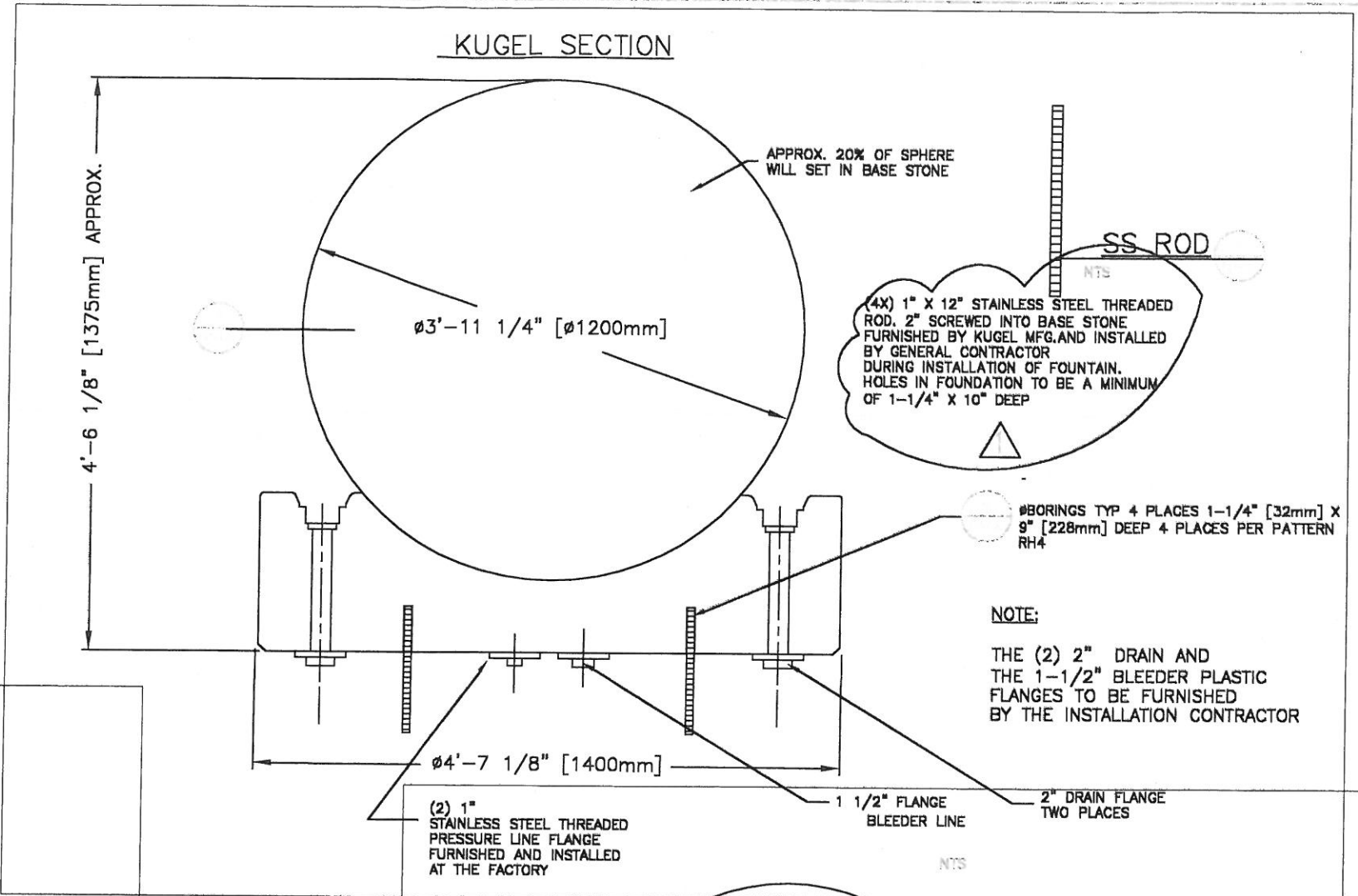
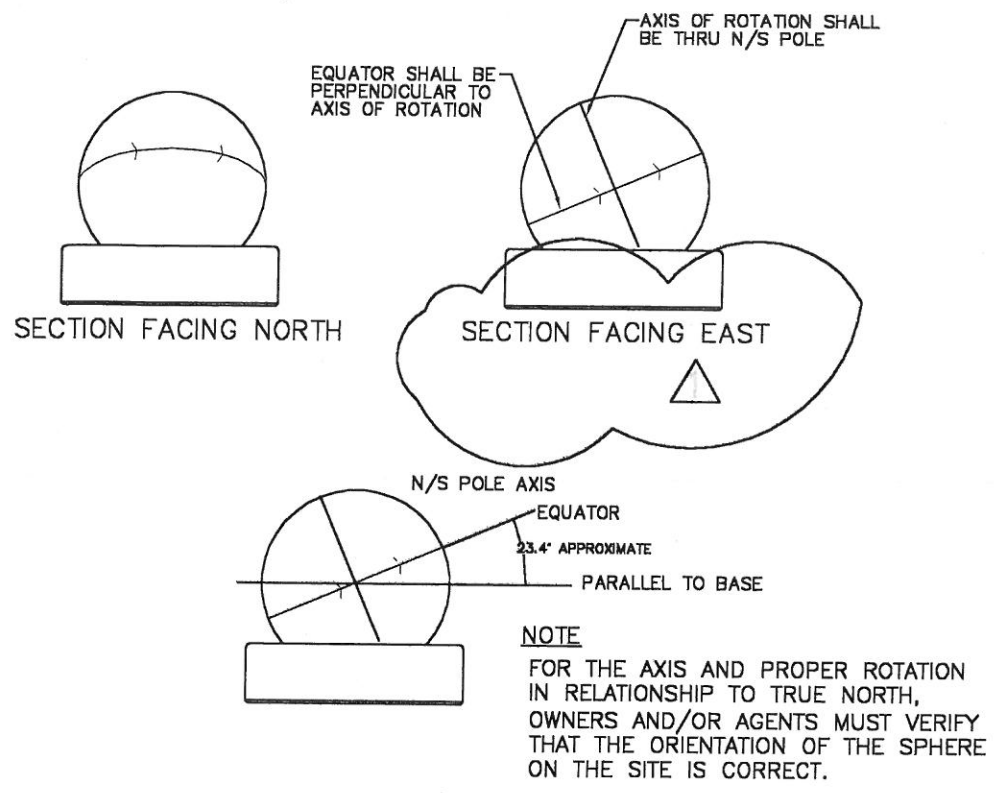
Red Hogan Enterprises, Inc  
Exclusive U.S. Distributor  
Box 13201 Tampa, FL 33681 - 3109 E. 4TH AVENUE 33605  
Tel: (800)919-0080 Fax: (813)248-3671

CALIFORNIA BAPTIST UNIVERSITY  
RIVERSIDE, CALIFORNIA

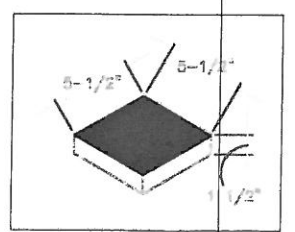
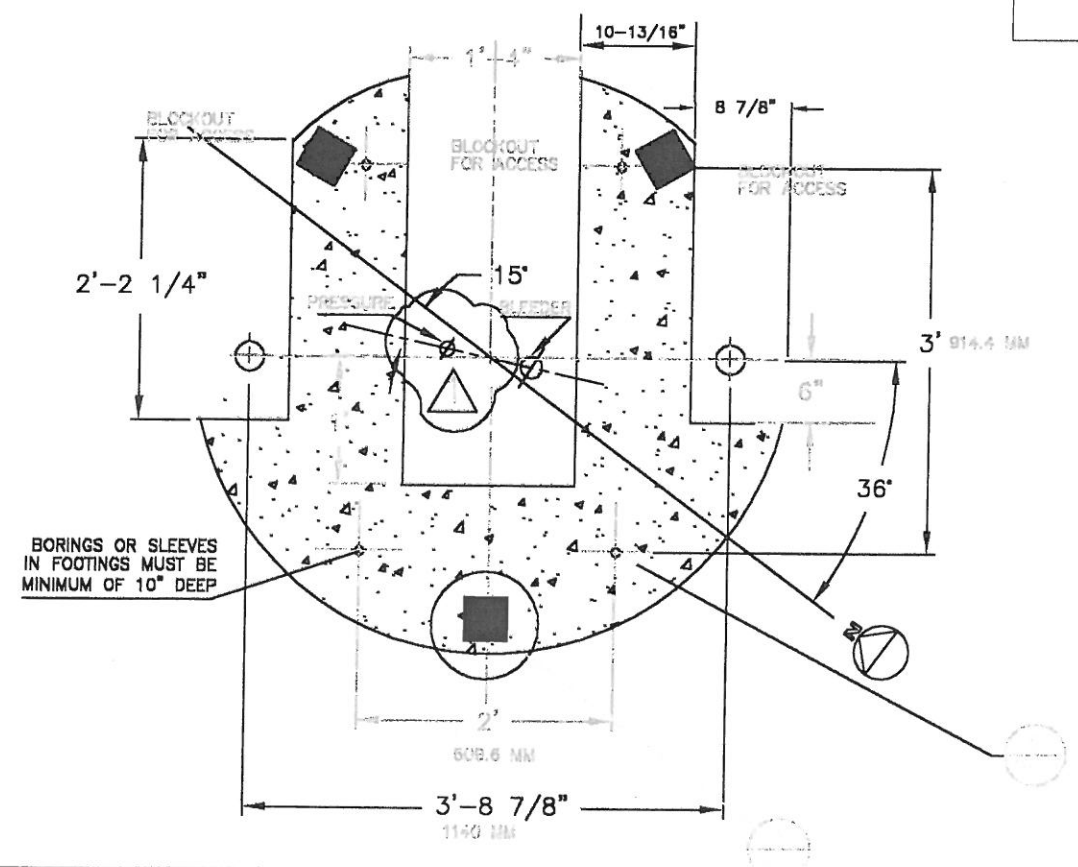
JOB NO. 2574  
DATE 01/27/03  
DRAWN BY T.L.H.  
CHECKED BY M.H.

NOTICE:  
THIS DRAWING, KNOW HOW AND INFORMATION DISCLOSED HEREIN ARE THE PROPERTY OF RED HOGAN ENTERPRISES, INC. AND MAY NOT BE USED, COPIED OR DISCLOSED EXCEPT AS AUTHORIZED BY RED HOGAN ENTERPRISES, INC. IN WRITING, UPON DEMAND THE DRAWING AND ALL COPIES HEREOF SHALL BE RETURNED IMMEDIATELY TO RED HOGAN ENTERPRISES, INC.

RH3



PLAN VIEW FOOTING AND HOLE DETAIL FOR PINS

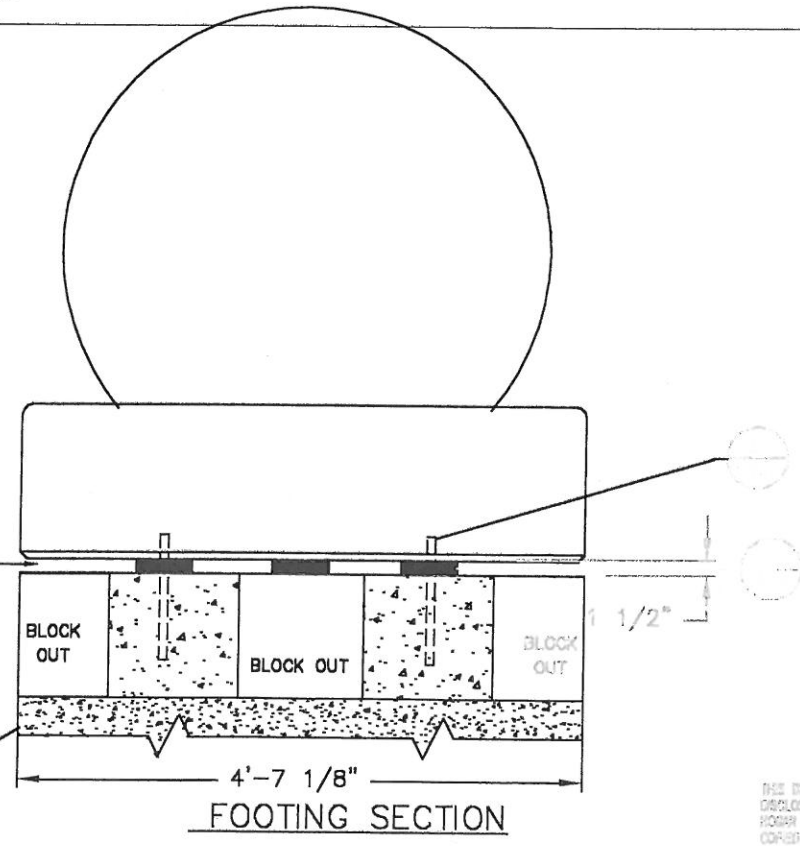


PLASTIC SHIM DETAIL

NOTE:  
GAGE THICK SHIMS FOR THE INFINITE LEVELING OF THE KUGEL FOUNTAIN TO BE FURNISHED BY THE INSTALLATION CONTRACTOR

FULLY GROUT USING NONSHRINK GROUT AFTER KUGEL FOUNTAIN DETERMINED TO BE LEVEL GROUT AND PLACEMENT BY OTHERS

NOTE:  
FOOTING DESIGN AND PLACEMENT BY OTHERS



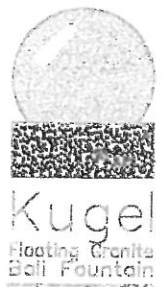
FOR APPROVAL ONLY

APPROVED BY \_\_\_\_\_

PRINT NAME \_\_\_\_\_

DATE \_\_\_\_/\_\_\_\_/\_\_\_\_

THIS DRAWING, SHOW HOW AND INFORMATION DISCLOSED HEREIN, ARE THE PROPERTY OF RED HOGAN ENTERPRISES, INC. AND MAY NOT BE USED, COPIED OR REPRODUCED EXCEPT AS AUTHORIZED BY RED HOGAN ENTERPRISES, INC. IN WRITING. SUCH REPRODUCTION OR TRANSMISSION IN ANY FORM OR BY ANY MEANS, ELECTRONIC OR MECHANICAL, INCLUDING PHOTOCOPYING, RECORDING, OR BY ANY INFORMATION STORAGE AND RETRIEVAL SYSTEM, WITHOUT THE WRITTEN PERMISSION OF RED HOGAN ENTERPRISES, INC. IS STRICTLY PROHIBITED.



Red Hogan Enterprises, Inc.  
Exclusive U.S. Distributor  
Box 13201 Tampa, FL 33681  
Tel: (800)819-0080 Fax: (813)248-3671

CALIFORNIA BAPTIST UNIVERSITY  
RIVERSIDE, CALIFORNIA

RED NO. 2574  
DATE 1/27/03  
DRAWN BY T.L.H.  
CHECKED BY R.H.  
3/15/03

R-4

INSTALLATION INSTRUCTIONS

1. UPON ARRIVAL OF SKID PACK AND RESERVOIR CHECK FOR SHIPPING DAMAGE. REPORT ANY DAMAGE FOUND TO THE FREIGHT CARRIER AND RED HOGAN ENTERPRISES, INC. IMMEDIATELY.

IF IT IS FREE OF DAMAGE, PROCEED WITH INSTALLATION. IF EQUIPMENT IS NOT TO BE INSTALLED IMMEDIATELY STORE IN AN AREA SAFE FROM FLOODING. FAILURE TO PROPERLY PROTECT EQUIPMENT COULD CAUSE DAMAGE AND VOID WARRANTY.

2. CONNECT ALL PIPING AND CONDUIT AS REQUIRED TO CONNECTIONS PROVIDED ON SKID PACK. CARE SHOULD BE TAKEN NOT TO EXTERNALLY LOAD THE CONNECTIONS.

3. PRESSURE TEST ALL PIPING CONNECTED TO EQUIPMENT TO INSURE THERE ARE NO LEAKS. ALL EQUIPMENT AND PIPING ON SKID PACK HAS BEEN FACTORY PRESSURE TESTED. DO NOT EXCEED 25 PSI IN PRESSURE TESTING ON ANY PIPING CONNECTED TO EQUIPMENT.

PRESSURE TESTING OF EQUIPMENT ON SKID PACK ABOVE 25 PSI COULD DAMAGE SOME EQUIPMENT AND VOID WARRANTY. ADEQUATE VENTILATION AND DRAINAGE MUST BE PROVIDED AT EQUIPMENT LOCATION.

NOTE:

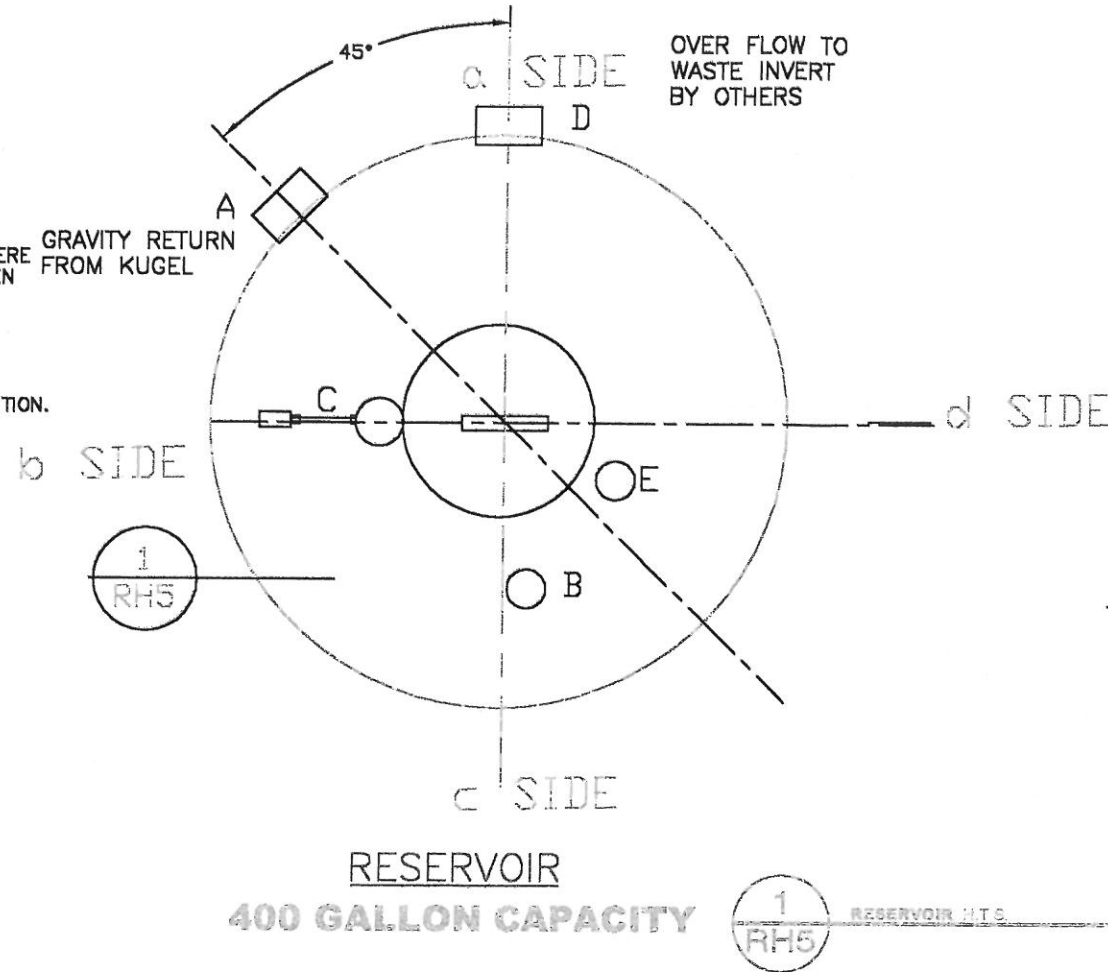
' E ' INDICATES SUCTION PIPE THIS PIPE SHOULD BE CUT AT APPROX. 6" FROM THE BOTTOM OF THE RESERVOIR

HOLE FOR 'B' & 'E' TO BE CUT IN FIELD BY INSTALLATION CONTRACTOR

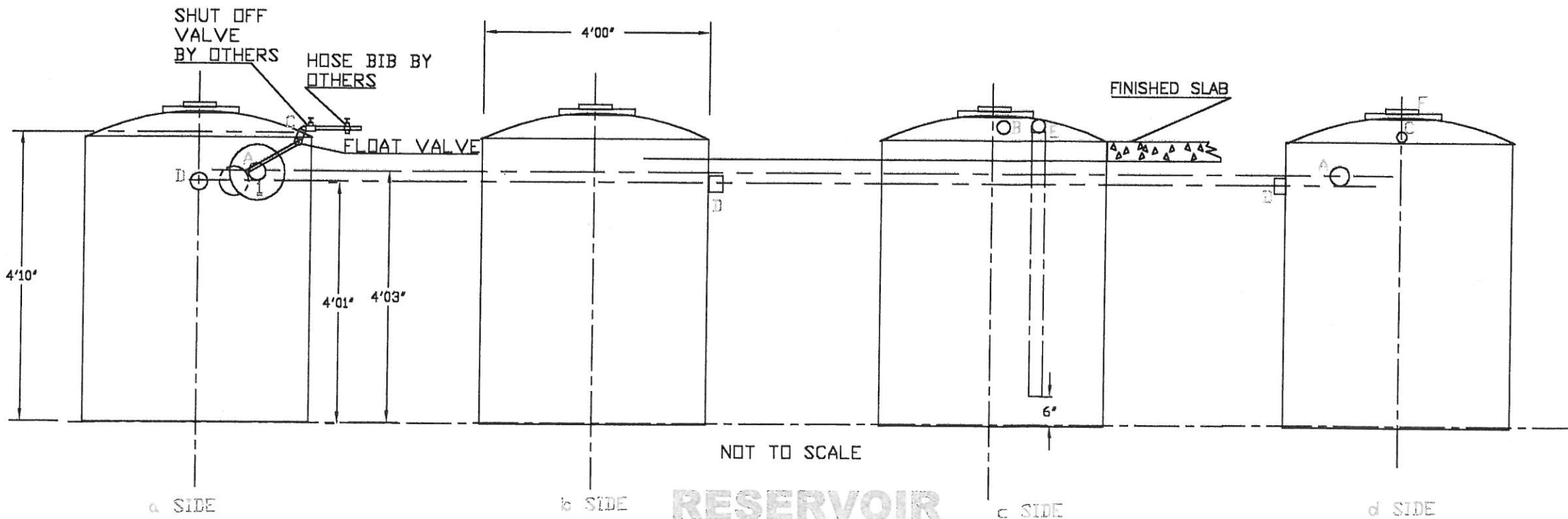
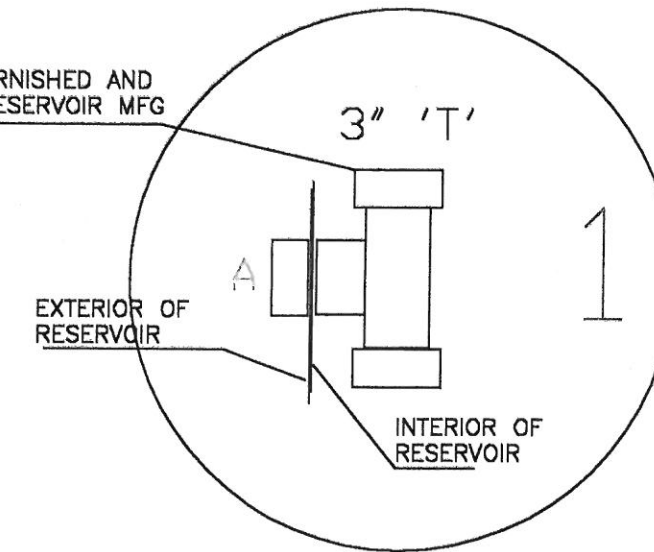
3" 'T' REQUIRED ON INSIDE OF GRAVITY RETURN PIPE IN RESERVOIR TO BE FURNISHED WITH RESERVOIR

A STRUCTURAL SLEEVE OR WALL MUST BE SUPPLIED BY OTHERS FOR THE RESERVOIR TO BE INSTALLED BELOW GRADE

Sym.	Size	Function
A	3"	GRAVITY RETURN
B	1 1/2"	BYPASS TO RESERVOIR
C	3/4"	FRESH WATER SUPPLY
D	2"	OVERFLOW TO WASTE
E	2"	PUMP SUCTION
F	15'	Access Lid
G		
H		
J		



NOTE: THIS FITTING FURNISHED AND INSTALLED BY RESERVOIR MFG



FOR APPROVAL ONLY  
 APPROVED BY \_\_\_\_\_  
 PRINT NAME \_\_\_\_\_  
 DATE \_\_\_\_/\_\_\_\_/\_\_\_\_

NOTICE  
 THIS DRAWING, HOWE HOW AND INFORMATION DISCLOSED HEREIN ARE THE PROPERTY OF RED HOGAN ENTERPRISES, INC. AND MAY NOT BE USED, COPIED OR DISCLOSED EXCEPT AS AUTHORIZED BY RED HOGAN ENTERPRISES, INC. BY WRITING UPON REQUEST. THIS DRAWING AND ALL COPIES HEREOF SHALL BE RETURNED IMMEDIATELY TO RED HOGAN ENTERPRISES, INC.



Red Hogan Enterprises, Inc.  
 Exclusive U.S. Distributor  
 P.O. Box 15207 Tampa, FL 33607  
 Tel: (800)910-9020 Fax: (813)243-3071

CALIFORNIA BAPTIST UNIVERSITY  
 RIVERSIDE CALIFORNIA

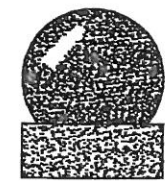
JOB # 2574  
 DATE 01/27/03  
 DRAWN BY T.L.H.  
 CHCK BY M.H.

RH5



**BILL OF MATERIALS**

- | QTY | DESCRIPTION   |
|-----|---|
| 1   | 120 CM (3'11-1/4") FLOATING GRANITE SPHERE IN NEW BELFAST BLACK GRANITE, SURFACE POLISHED, BALANCED   |
| 1   | ENGRAVING OF THE OUTLINE OF WORLD MAP ON THE SPHERE, INCLUDING THE CONTINENTS, MAJOR BODIES OF WATER I.E. RIVERS, OCEANS, AND MOUNTAIN RANGES ON THE SPHERE.  |
| 1   | BASE STONE IN TITTLINGER GRANITE, VISIBLE SURFACE TINIY FINISHED, BOTTOM SAWN, ROUND, WITH WATER CHANNEL, SURFACE TINIY FINISHED, TOP EDGE RADIUS, BOTTOM CHAMFERED. APPROXIMATE SIZE 140 CM DIAMETER X 40 CM HIGH (4'07-1/8" X 1'03-3/4")  |
| 1   | ENGRAVING OF 10 CM (4") LETTERS: MATTHEW 28: 18-20 ON THE BASE STONE  |
| 1   | AUTOMATIC FINE FILTER   |
| 1   | SLING FOR BALL HANDLING   |
| 4   | BORINGS, ANCHORS AND RODS TO SECURE THE BASE STONE TO THE FOUNDATION (FOUNDATION PROVIDED BY OTHERS)  |
| 1   | EQUIPMENT: RED HOGAN ENTERPRISES, INC. WILL PROVIDE A SKID PACK WITH ALL EQUIPMENT INCLUDING PUMP, FILTERS, LIFEGUARD PURIFICATION SYSTEM AND ELECTRIC CONTROL PANEL PRE PLUMBED AND WIRED TESTED WITH WIRE CONNECTIONS AS WELL AS CONNECTION FOR REMOTE SWITCH TO CONTROL PANEL BY OTHERS. |
| 1   | RESERVOIR WITH ACCESS LID AND ALL PENETRATIONS AND BULK HEAD FITTINGS WITH OVERFLOW, DRAIN AND FRESH WATER MAKE UP TO BE CONNECTED BY OTHERS.   |

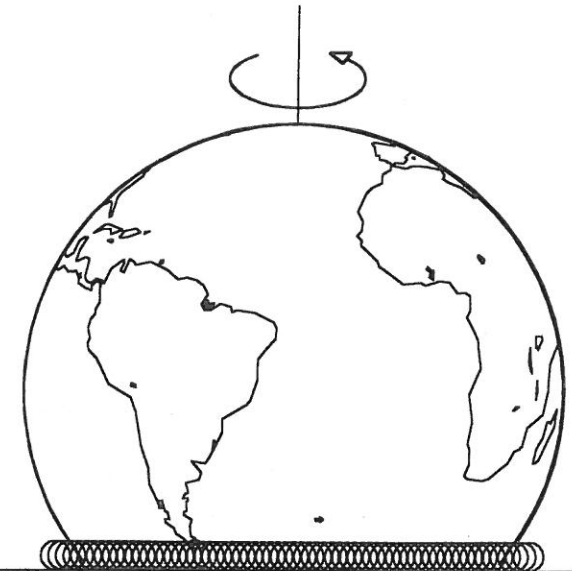


**Kugel**  
Floating Granite  
Ball Fountain

**Red Hogan Enterprises, Inc**  
Exclusive U.S. Distributor  
Box 13201 Tampa, FL 33681 - 3109 E. 4TH AVENUE 33605  
Tel: (800)919-0080 Fax: (813)248-3671

CALIFORNIA BAPTIST UNIVERSITY  
RIVERSIDE CALIFORNIA

JOB # 2574  
DATE 01/27/03  
DRAWN BY T.L.H.  
CHECKED BY M.M.  
**RH6**



front view

FRONT OF KUGEL FOR MFG. TO ORIENTATE THE PROPER AXIS IN RELATION TO THE NORTH POLE THE NORTH AND SOUTH OF THE BOTTOM OF THE BASE STONE WILL BE MARKED FOR ALIGNMENT IN THE FIELD.

NOTE: FINAL SETTING TO NORTH IS THE RESPONSIBILITY OF THE OWNERS AND OR AGENTS

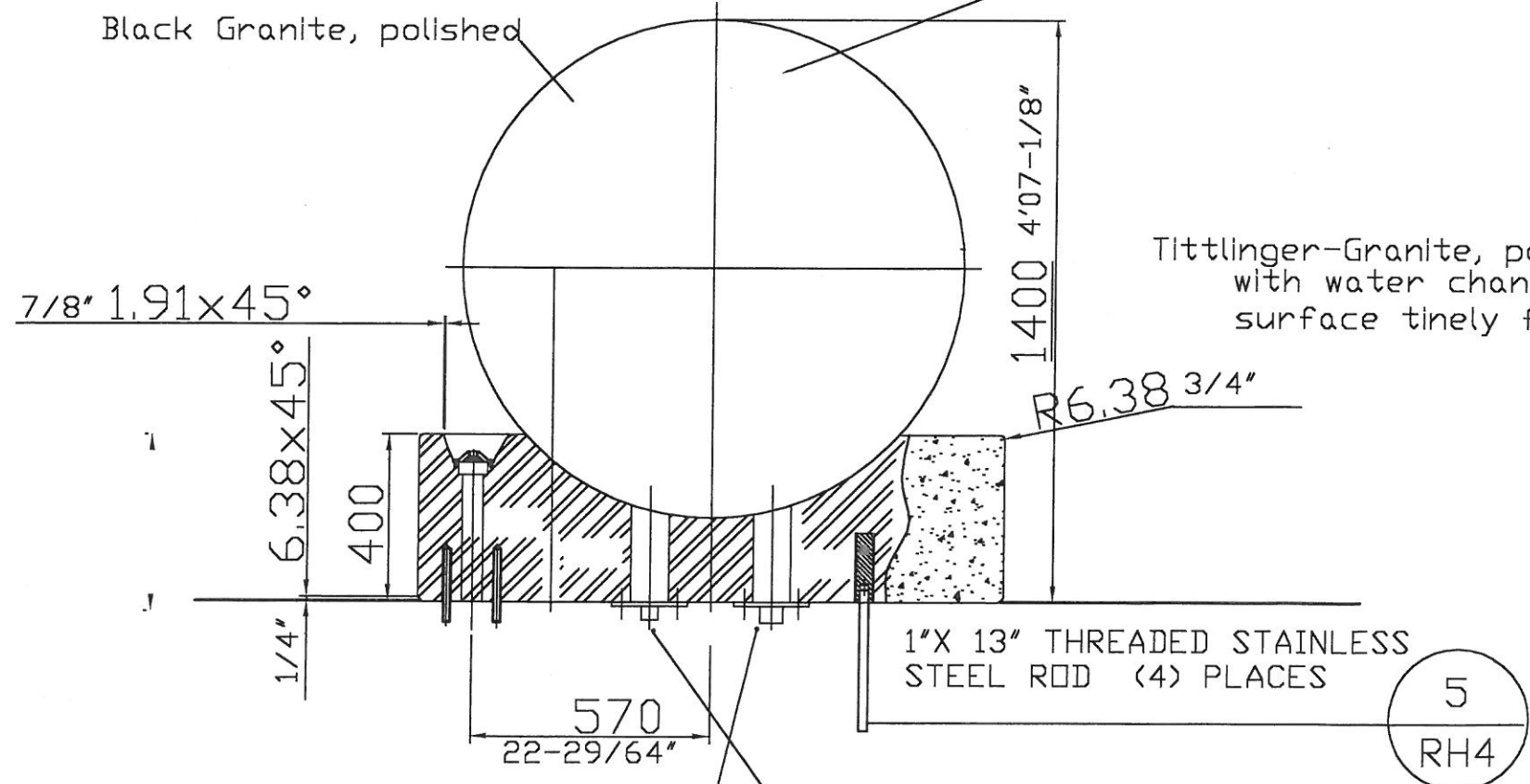
120CM 3'11-1/4" DIAMETER

2"

4"  
MFG. PLAQUE

Black Granite, polished

Tittlinger-Granite, polished with water channel - surface tinely finished

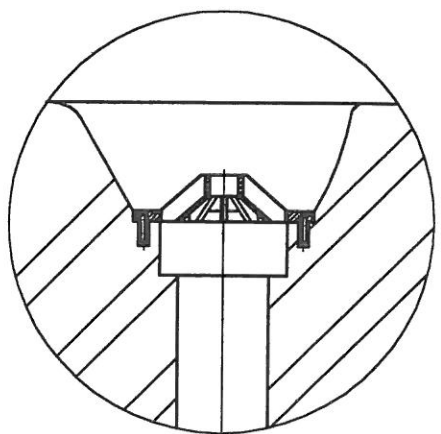


bleeder-flange  $\phi$  180, R 1 1/2", IG retracted

inlet-flange  $\phi$  180, R 1", IG retracted

SECTION  
NTS

drain dome  
DETAIL



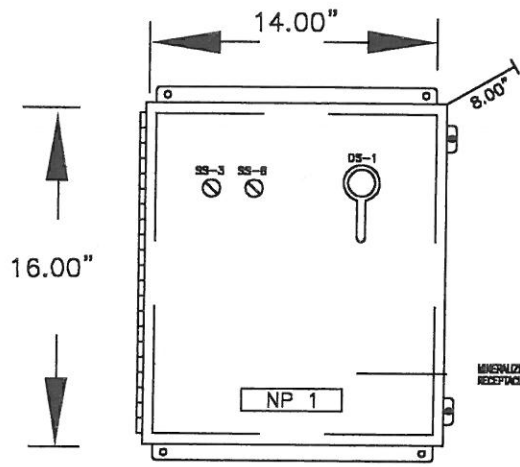
FOR APPROVAL ONLY

APPROVED BY \_\_\_\_\_

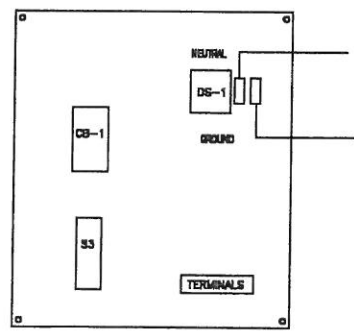
PRINT NAME \_\_\_\_\_

DATE \_\_\_\_/\_\_\_\_/\_\_\_\_

**NOTICE**  
THIS DRAWING, KNOW HOW AND INFORMATION DISCLOSED HEREIN, ARE THE PROPERTY OF RED HOGAN ENTERPRISES, INC. AND MAY NOT BE USED, COPIED OR DISCLOSED EXCEPT AS AUTHORIZED BY RED HOGAN ENTERPRISES, INC. IN WRITING. UPON DEMAND, THE DRAWING AND ALL COPIES HEREOF SHALL BE RETURNED IMMEDIATELY TO RED HOGAN ENTERPRISES, INC.



FRONT VIEW

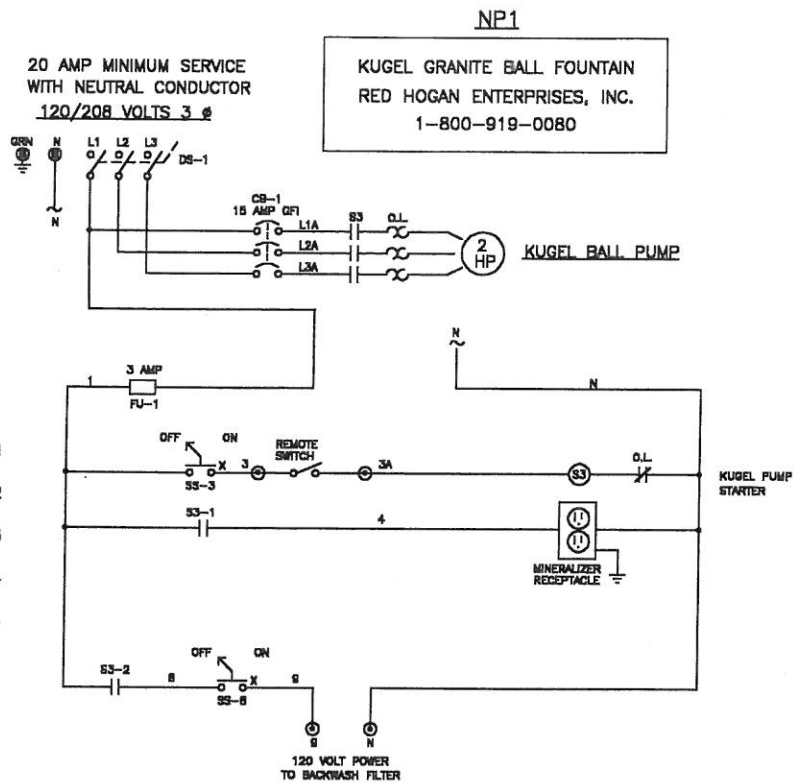


BACKPLATE LAYOUT

TERMINAL BLOCK DETAIL



ENGRAVING INFORMATION		
DEVICE	LEGENDPLATE	NAMEPLATES
SS-3	OFF ON	KUGEL BALL PUMP
SS-8	OFF ON	AUTO BACKWASH STRAINER



BILL OF MATERIALS				
SYM.	QTY.	MANUF.	CAT. NO.	DESCRIPTION
	1	HAMMOND	1414PH08	16" X 14" X 8" NEMA 12 ENCLOSURE
	1	HAMMOND	INCLUDED	INTERIOR MOUNTING PANEL
DS-1	1	ABB	DT32E2S	30 AMP NON-FUSED DISCONNECT SWITCH
SS	1	ABB	AGS-84N	2 HP MOTOR STARTER
CB-1	1	SQUARE D	MG 17466	18 AMP 3 POLE CIRCUIT BREAKER
CB-1	1	SQUARE D	MG 28566	CIRCUIT BREAKER GF MODULE
FL-1	1	GOULD	TRM-3	3 AMP FUSE
SS-3,13	2	ALLEN BRADLEY	800T-H2A	2 POSITION SELECTOR SWITCH
	1	HUBBELL		15 AMP DUPLEX RECEPTACLE
	1	BELL		WEATHERPROOF RECEPTACLE COVER
	7	PHOENIX	LK 10N	TERMINAL BLOCKS-800 VOLT

NOTES

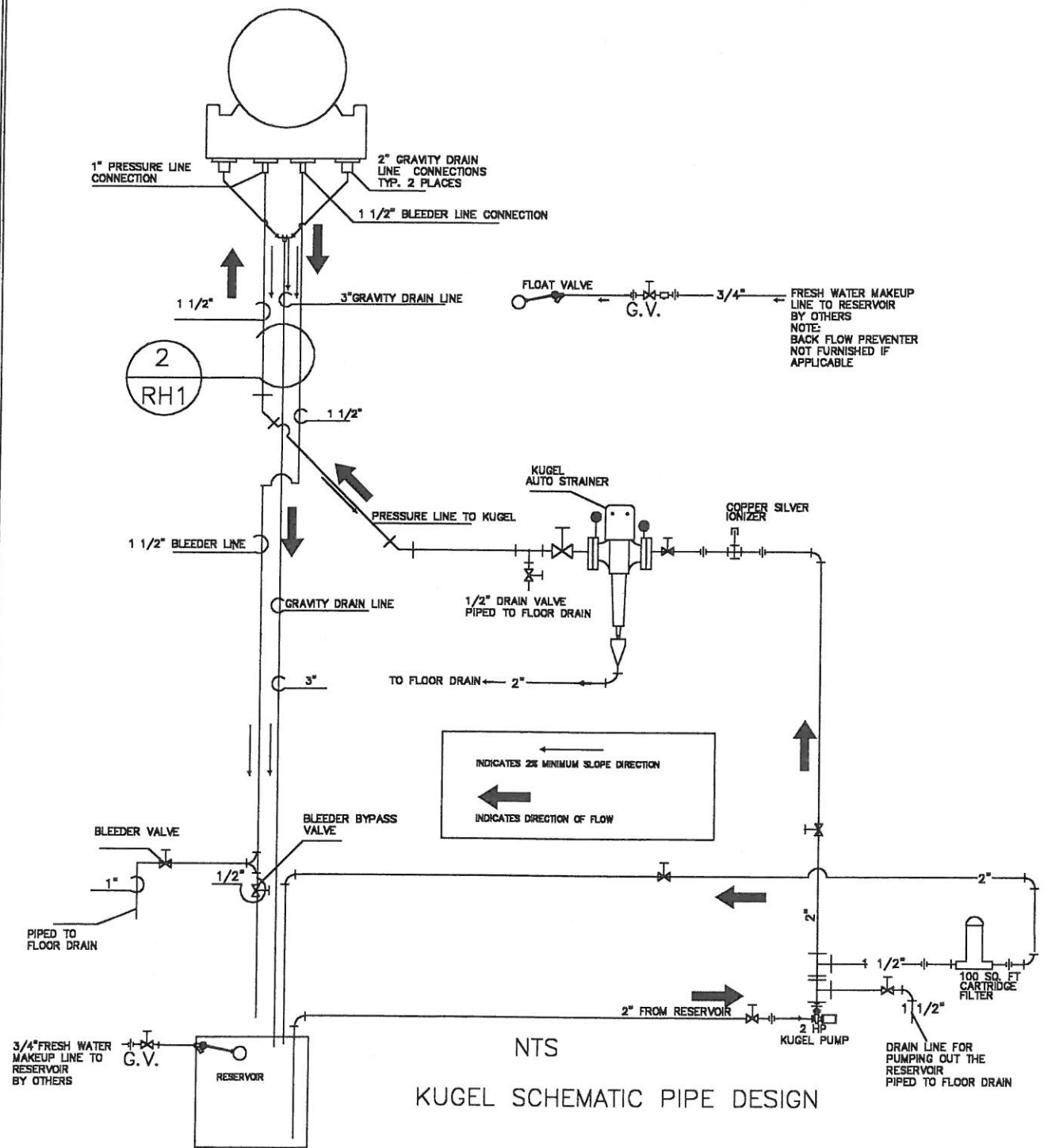
1. ALL INTERNAL COMPONENTS WILL BE IDENTIFIED WITH AN ENGRAVED EQUIPMENT TAG.
2. ALL WIRES WILL BE MARKED WITH HEAT SHRINK TYPE WIRE MARKERS.
3. ALL POWER WIRING WILL BE # 14 AWG STRANDED COPPER WIRE.
4. ALL CONTROL WIRING WILL BE # 14 AWG STRANDED COPPER WIRE.
5. THE CONTROL PANEL WILL BE U.L. LABELED PER UL 508.

NTS

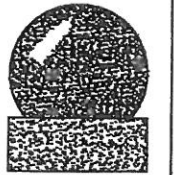
ELECTRIC CONTROL PANEL SCHEMATIC DESIGN

CALIFORNIA BAPTIST UNIVERSITY  
RIVERSIDE, CALIFORNIA

JOB # 2574



NTS  
KUGEL SCHEMATIC PIPE DESIGN



Kugel  
Floating Granite  
Ball Fountain

Red Hogan Enterprises, Inc  
Exclusive U.S. Distributor  
Box 13201 Tampa, FL 33681 - 3109 E. 4TH AVENUE 33605  
Tel: (800)919-0080 Fax: (813)248-3671

CALIFORNIA BAPTIST UNIVERSITY  
RIVERSIDE, CALIFORNIA

JOB 2574  
DATE 01/21/03  
DRAWN BY T.L.H.  
CHECKED BY M.M.

RH7