

## OUTLINE FINISH SCHEDULE

Legend (E) = Existing – either existing to remain or existing to be removed and reinstalled.  
(N) = New

a.) Typical Open Office Area (Floors 1 through 14)

Floor: (N) Carpet Tile – (C-3)  
Base: (N) Vinyl Base  
Walls: (N) Exterior wall furring: (N) 5/8" gypsum board, painted, on metal studs with R-19 thermal insulation. Walls at Toilet Rooms, Elevator Lobbies, Stairs, Corridors, high wall offices, etc.: (N) painted 5/8" gypsum board, on metal studs. Provide acoustical insulation on all high wall locations.  
Ceiling: (N) 2'x2' Acoustical tile with heavy duty grid system, as specified.  
Lighting: (N) 2'X2' linear fluorescent  
Interior Columns: 1-5/8" metal stud furring and 5/8" painted gypsum board.

b.) Second Floor Grand Lobby and Loggia Rooms 201, 202 and Historic Stairs #5, 6, 7, 8 and 9 (Refer to Historic drawings and Volume II, C)

Existing finishes to remain. Restore, clean, replace and repair as required.

Floor: (E) Marble, terrazzo  
Base: (E) Marble  
Walls: (E) Marble – full height; (E) marble @ arches, pilasters, frieze; @ Cloister – plaster above arches, @ Main Entry - (E) Bronze window frame and (E) Glazing – (N) Glazing to replace broken existing glazing as required.  
Ceiling: (E) Plaster coffers with gold leaf, touch-up paint as required; @ Cloister – (N) Shallow barrel vaulted ceiling with plaster skim coat to match existing; Below Bridge – (E) Marble  
Doors: Main Entry Doors: (E) Bronze doors, refit with (N) hardware, update per code;(N) Metal elevator doors (Refer to Structural Retrofit Package)  
Lighting (N) Contemporary compatible fixtures and (E) fixtures to be refurbished.  
Stairs (E) Marble treads and risers  
Balustrade (E) Bronze, modified with new glass rail to meet code requirements (at bridge).  
Security Desk: (N) Stone top; wood base cabinets with stone veneer panels and base.

c.) Toilets – Contemporary Compatible (Basement thru 14 Floors) – Refer to Drawing T-HA9.29

Floor: (N) Terrazzo  
Base: (N) 6" Ceramic tile base  
Wainscot (N) 6'-0" ceramic tile, 3" x 6" stack bond  
Walls: (N) 5/8" gyp. bd. on metal studs, painted with semi-gloss finish  
Ceiling: (N) 5/8" gyp. bd., suspended, painted with semi-gloss finish  
Toilet Partitions: (N) Floor mounted, marble with (N) wood doors to match historic doors.  
Toilet Fixtures: (N) Wall hung toilets; (N) lavatories, set in stone counter, & lever faucets; new toilet accessories, as specified.  
Counter: (N) Stone  
Lighting: (N) Contemporary compatible, downlighting

- d.) Corridors - 1<sup>st</sup> Floor – Room 102 @ Loggia, 2<sup>nd</sup> & 8<sup>th</sup> Floor Corridors (Refer to Historic drawings and Volume II, C)  
Existing materials to be reinstalled, except as noted. All existing material to be cleaned, repaired, restored and replaced as required (Existing stone wall panels, doors, sidelights, transoms are stored in the Basement.)

Floor: (E) Terrazzo to remain in place, patch and repair, (N) epoxy terrazzo infill as required.  
 Base: (E) Marble, refurbish  
 Wainscot (E) Marble, refurbish  
 Walls: (N) 5/8" gyp. bd. on metal studs, with Venetian plaster veneer  
 Ceiling: (N) 5/8" gyp. bd., suspended with plaster veneer, painted to match walls.  
 Lighting: (E) Historic lighting fixtures, upgrade lamping to current standards - repaired, restored, refurbished. (N) Contemporary compatible replacements where historical fixtures are missing.  
 Doors/Transoms and Sidelites: (E) metal and wood doors, transoms and sidelites to be refurbished and re-installed.

- e.) Corridors 1<sup>st</sup> Floor Access Corridor, Rooms 103 thru 107 and Elevator Lobby 101 (refer to Historic Section, Volume II, C) (Refer to (T)A2.01)

Existing materials to be reinstalled, except as noted (Marble wainscot / wall panels stored in Basement). All existing material to be cleaned, repaired and restored.

Floor: (N) Terrazzo to match existing.  
 Wainscot / Base: (E) Marble, refurbish  
 Walls: (N) 5/8" gyp. bd. on metal studs, with (N) vinyl wallcovering above wainscot.  
 Ceiling: (N) 2 x 2 Acoustical ceiling tile with heavy duty grid system as specified.  
 Lighting: (N) Contemporary compatible

- f.) Corridor 1<sup>st</sup> Floor 108, 109 (Utility Corridor)

Floor: (N) VCT (Vinyl Composition Tile)  
 Base: (N) Rubber base  
 Walls: (N) 5/8" gyp. bd. on metal studs, painted with semi-gloss finish and/or concrete block, painted.  
 Ceiling: (N) 2 x 2 Acoustical ceiling tile with heavy duty grid system  
 Lighting: (N) Surface mounted fluorescent strip fixtures

- g.) Typical Elevator Lobbies 3<sup>rd</sup> thru 8<sup>th</sup> Floors (Refer to Historic drawings and Volume II, C)

Existing materials to be reinstalled, except as noted. All existing material to be cleaned, repaired and restored.

Floor: (N) (E) Terrazzo to remain in place; patch and infill with new terrazzo as required.  
 Base: (N) (E) Marble  
 Wainscot (N) (E) Marble, 7'-6" high @ passenger elevator wall only.  
 Walls: (N) Venetian plaster over 5/8" gyp. bd. on metal studs, (N) GFRG molding to match existing profile  
 Ceiling: (N) 5/8" gyp. bd., suspended, painted with eggshell finish; (N) GFRG crown molding to match existing profile  
 Elevator Doors (N) Bronze doors and frames  
 Lighting (N) Downlighting

h.) Typical Elevator Lobbies B, 1<sup>st</sup>, 9<sup>th</sup> thru 14<sup>th</sup> Floors – Contemporary Compatible

Floor: (N) Epoxy terrazzo  
Base: (N) Stone  
Walls: (N) 5/8" gyp. bd. on metal studs, painted with eggshell finish; (N) vinyl wallcovering / full height marble on elevator door wall.  
Ceiling: (N) 5/8" gyp. bd., suspended, painted with eggshell finish  
Lighting: (N) Downlighting  
Elevator Doors: (N) Bronze doors and frames.

i.) Exit Stair Vestibules / Transitions (Refer to Structural Retrofit Package) – Comply with the following:

Floor: (N) Sealed concrete floor, treads, landings and steel risers  
Base: (N) Rubber/Steel  
Walls: (E) Exposed concrete, painted, (E) gyp. bd. on metal studs, painted with eggshell finish, (E) Glazed brick, patch and repair.  
Ceiling: (E) Exposed structure, painted  
Lighting: (N) Fluorescent strip lighting  
Railings: (N) 1½" diameter pipe railing, painted, as required.

j.) Historic Stairs (Stairs 1, 2, 3 and 4, Floors 1 – 9) (Refer to Historic drawings and Volume II, C)

Existing materials to be reinstalled, except as noted. All existing material to be cleaned, repaired and restored.

Floor: (E) Terrazzo at landings to remain in place, (E) Stone treads to remain in place.  
Base: (E) Marble base; (E) Cast iron stringers to remain in place  
Wainscot: (E) Marble (Re-install)  
Walls: (N) 5/8" gyp. bd., with plaster veneer, painted  
Ceiling: (N) 5/8" gyp. bd., with plaster veneer, painted  
Railings: (E) Wood and cast iron balustrade to remain in place; (E) wall mounted wood handrails with cast bronze handrail bracket.  
Lighting: (E) Historical lighting fixtures, upgrade lamping to current standards. Provide additional lighting as required.

k.) Existing Exit Stair A & B (to remain) – (Refer to Structural Retrofit Package) – Comply with the following:

Floor: (E) Concrete to be patched and repaired.  
Base: (E) Concrete to be patched and repaired.  
Walls: (E) Concrete, masonry to be painted.  
Ceiling: (E) Concrete to be painted  
Stairs, Treads and Risers: Patch and Repair.  
Railing: Remove existing. (N) 1 ½" diameter pipe railing painted.

- l.) Jury Room (Room 819) Restoration – (Refer to Historic drawings and Volume II, C)  
Existing materials to be removed and reinstalled, except as noted. All existing material to be cleaned, repaired and restored.

Floor: (E) Concrete sealed and leveled; (N) Cork tile, 12"x12", 5/16" thickness.  
 Base: (E) Marble  
 Wainscot (E) Wood wall panels  
 Walls: (N) 5/8" gyp. bd. lath with skim coat of plaster on (N) 6" metal studs, remove existing HCT, painted finish to match existing, at portions above or between wood paneling; (E) Bronze radiator grilles below windows  
 Doors (E) Metal refit with (N) Hardware, (N) Wood doors to match existing as required to replace existing doors; (N) Metal Frames  
 Ceiling: (N) 5/8" gyp. bd., suspended, with skim coat of plaster, painted finish  
 Lighting (N) Contemporary compatible

- m.) Court Room (Room 816) Restoration– (Refer to Historic drawings and Volume II, C)

Floor: (E) Concrete sealed and leveled, (N) Cork tile, 12"x12", 5/16" thickness  
 Base: (E) Marble  
 Wainscot (E) Wood wall panels  
 Walls: (N) 5/8" gyp. bd. lath with skim coat of plaster on (N) 6" metal studs, remove existing HCT, painted finish to match existing, at portions above or between wood paneling; (E) Bronze radiator grilles below windows; Fabric wrapped acoustical panel walls  
 Doors (E) Metal refit with (N) Hardware, (N) Wood doors to match existing as required to replace existing doors; (N) Metal Frames  
 Ceiling: (N) 5/8" gyp. bd., suspended, with skim coat of plaster, painted finish  
 Lighting (N) Contemporary compatible

- n.) Data/Telecom/Mechanical/JC Equipment Rooms

Floor: (E) Concrete with (N) Floor Sealer  
 Base: (N) Rubber base  
 Walls: (N) 5/8" gyp. bd. on metal studs, painted with semi-gloss finish  
 Ceiling: None – Open to Structure above

- o.) Elevator Cars - Elevators 2, 3, 4, 5, 6 and 7 (Passenger Cars) - – (Refer to Historic drawings and Volume II, C)  
Existing materials to be reinstalled in new elevator system. All existing material to be cleaned, repaired and restored.

Floor: (N) Linoleum (solid vinyl)  
 Base: n/a  
 Walls: (E) Wood paneling, (E) Wood grille frieze, finish to meet Code for flame spread and smoke density.  
 Ceiling: (E) Wood paneling (same as walls)  
 Lighting (N) Downlights or (E) Historic ceiling mounted lights as occur, upgrade lamping to current standards

- p.) Elevator Cabs Freight  
Contemporary compatible finish in accordance with standard manufacturer requirements and specifications.

- q.) Elevator Car (Passenger Car #1)  
Provide new finishes to match other passenger cars

r.) Private Offices – Type I (Sheriff, District Attorney, Public Defender, Alternate Public Defender) – To be developed with official

Floor: (N) Carpet Type C-1  
Base: (N) Wood Base  
Walls: (N) Exterior wall furring: (N) 5/8" gypsum board, on metal studs with R-19 thermal insulation. Other partitions: (N) 5/8" gypsum board, on metal studs with acoustical insulation; Wood paneling  
Ceiling: (N) Decorative suspended gypsum board ceiling and acoustical tile  
Lighting: (N) Specialty lighting, Indirect lighting

s.) Private Offices –Type II – (Department Heads, Highest Level Managers)

Floor: (N) Carpet Type – C-2  
Base: (N) Vinyl Base  
Walls: (N) Exterior wall furring: (N) 5/8" gypsum board, on metal studs with R-19 thermal insulation. Other partitions: (N) 5/8" gypsum board, on metal studs with acoustical insulation; Vinyl Wallcovering  
Ceiling: (N) 2'x2' suspended acoustical tile with heavy duty grid system as specified.  
Lighting: (N) 2'X2' linear fluorescent

t.) Private Offices –Type III

Floor: (N) Carpet Tile - Type C-3  
Base: (N) Vinyl Base  
Walls: (N) Exterior wall furring: (N) 5/8" gypsum board, painted, on metal studs with R-19 thermal insulation. Other partitions: (N) painted 5/8" gypsum board, on metal studs with acoustical insulation.  
Ceiling: (N) 2'x2' suspended acoustical tile with heavy duty grid system as specified  
Lighting: (N) 2'X2' linear fluorescent

v.) Coffee Galleys

Floor: (N) VCT in pattern  
Base: (N) Vinyl Base  
Walls: (N) painted 5/8" gypsum board, on metal studs.  
Ceiling: (N) 2'x2' suspended acoustical tile with heavy duty grid system as specified  
Lighting: (N) 2'X2' linear fluorescent  
Cabinetry: (N) Plastic Laminate over 3/4" particle board  
Equipment: (N) Sink, garbage disposal, instant hot water tap.

w.) Conference Rooms (over 400 sq. ft.)

Floor: (N) Carpet Tile - Type C-3  
Base: (N) Vinyl Base  
Walls: (N) Vinyl wallcovering over exterior wall furring: (N) 5/8" gypsum board, painted, on metal studs with R-19 thermal insulation. Other partitions: (N) painted 5/8" gypsum board, on metal studs.  
Ceiling: (N) 2'x2' suspended acoustical tile with heavy duty grid system as specified.  
Lighting: (N) 2'X2' linear fluorescent

x.) Conference Rooms (under 400 sq. ft.)

Floor: (N) Carpet Tile - Type C-3  
Base: (N) Vinyl Base  
Walls: (N) Vinyl wallcovering over exterior wall furring: (N) 5/8" gypsum board, painted, on metal studs with R-19 thermal insulation. Other partitions: (N) painted 5/8" gypsum board, on metal studs.  
Ceiling: (N) 2'x2' suspended acoustical tile with heavy duty grid system as specified  
Lighting: (N) 2'X2' linear fluorescent

y.) Tenant Reception / Waiting Area

Floor: (N) Carpet Tile - Type C-3  
Base: (N) Vinyl Base  
Walls: (N) Vinyl wallcovering over exterior wall furring: (N) 5/8" gypsum board, painted, on metal studs with R-19 thermal insulation. Other partitions: (N) painted 5/8" gypsum board, on metal studs.  
Ceiling: (N) 2'x2' Acoustical tile with heavy duty grid system as specified  
Lighting: (N) 2'X2' linear fluorescent  
Reception Desk: (N) Plastic Laminate over 3/4" particle board adjustable shelving.

z.) Media Room

Floor: (N) Carpet Tile - Type C-3  
Base: (N) Vinyl Base  
Walls: (N) Exterior wall furring: (N) 5/8" gypsum board, on metal studs with R-19 thermal insulation. Other partitions: (N) 5/8" gypsum board, on metal studs;  
Ceiling: (N) 2'x2' suspended acoustical tile with heavy duty grid system as specified  
Lighting: (N) 2'X2' linear fluorescent  
Acoustical: Acoustical isolation

aa.) Library

Floor: (N) Carpet Tile - Type C-3  
Base: (N) Vinyl Base  
Walls: (N) Exterior wall furring: (N) 5/8" gypsum board, painted, on metal studs with R-19 thermal insulation. Other partitions: (N) painted 5/8" gypsum board, on metal studs.  
Ceiling: (N) 2'x2' suspended acoustical tile with heavy duty grid system as specified  
Lighting: (N) 2'X2' linear fluorescent  
Cabinetry: (N) Plastic Laminate over 3/4" particle board adjustable shelving

bb.) Personnel Exam Rooms

Floor: (N) Carpet Tile - Type C-3  
Base: (N) Vinyl Base  
Walls: (N) Exterior wall furring: (N) 5/8" gypsum board, painted, on metal studs with R-19 thermal insulation. Other partitions: (N) painted 5/8" gypsum board, on metal studs.  
Ceiling: (N) 2'x2' suspended acoustical tile with heavy duty grid system as specified  
Lighting: (N) 2'X2' linear fluorescent

cc.) Executive Toilet Rooms

Floor: (N) Ceramic Tile  
Base: (N) 6" Ceramic tile base  
Walls: (N) Full height ceramic tile  
Ceiling: (N) 5/8" gyp. bd., painted with semi-gloss finish  
Toilet Fixtures: (N) floor mounted toilet; (N) lavatory, set in stone counter, & lever faucets; new toilet accessories  
Counter: (N) Stone  
Lighting: (N) Contemporary compatible, downlighting

dd.) Locker Rooms

Floor: (N) Ceramic tile for shower room area and area directly adjacent. (N) VCT in locker areas  
Base: (N) Ceramic tile base (at ceramic tile) and vinyl base (at VCT).  
Walls: (N) 5/8" gyp. bd., painted with glossy finish at locker areas. Full height ceramic tile in showers and area directly adjacent  
Ceiling: (N) 2'x2' Acoustical tile (for high humidity areas) with exposed T grid.  
Toilet Partitions: (N) Floor mounted, marble  
Toilet Fixtures: (N) Wall hung toilets; (N) wall hung lavatories, set & lever faucets; new toilet accessories  
Lighting: (N) 2' x 2' fluorescent  
Specialties: Painted metal lockers and wood benches, full-height mirror

ee.) Storage / Copier Rooms / Workrooms / Mail rooms

Floor: (N) Resilient Tile  
Base: (N) Resilient Base  
Walls: (N) Exterior wall furring: (N) 5/8" gypsum board, painted, on metal studs with R-19 thermal insulation. Other partitions: (N) painted 5/8" gypsum board, on metal studs.  
Ceiling: (N) 2'x2' suspended acoustical tile with heavy duty grid system as specified.  
Cabinetry: (N) Plastic Laminate over 3/4" particle board  
Lighting: (N) 2'X2' fluorescent

ff.) Basement, MEP Spaces

Floor: (E) Concrete, (N) sealer  
Base: (N) Resilient Base  
Walls: (N) High impact gypsum board on metal studs, painted semi-gloss  
Ceiling: Exposed structure, painted.  
Lighting: (N) 1'X4' fluorescent

gg.) Basement, Maintenance & Operations and Programmed Spaces / Corridor

Floor: (N) Resilient Tile  
Base: (N) Resilient Base  
Walls: (N) High impact gypsum board on metal studs, painted semi-gloss  
Ceiling: (N) 2'x2' suspended acoustical tile with heavy duty grid system as specified.  
Lighting: (N) 2'X2' fluorescent

hh.) Indoor Dining

Floor: (N) Sealed and polished concrete  
Base: (N) Sanitary top set, ceramic tile base  
Walls: (N) Exterior wall furring: (N) 5/8" gypsum board, painted, on metal studs with R-19 thermal insulation. Other partitions: (N) painted 5/8" gypsum board, on metal studs. (N) Vinyl Wallcovering  
Ceiling: (N) 2'x2' suspended acoustical tile with heavy duty grid system as specified.  
Lighting: (N) Suspended direct/indirect fluorescent lighting fixture

ii.) Servery

Floor: (N) Sealed and polished concrete  
Base: (N) Sanitary top set, ceramic tile base  
Walls: (N) Full height ceramic tile over gypsum board and metal studs with R-19 thermal insulation. Other partitions: (N) painted 5/8" gypsum board, on metal studs. (N) Vinyl Wallcovering  
Ceiling: (N) 2'x2' washable suspended acoustical tile with heavy duty grid system as specified.  
Lighting: (N) 2'X2' fluorescent

jj.) Kitchen

Floor: (N) Quarry tile  
Base: (N) Quarry tile  
Walls: (N) Stainless steel over gypsum board and metal studs with R-19 thermal insulation. Other partitions: (N) painted 5/8" gypsum board, on metal studs. (N) Vinyl Wallcovering  
Ceiling: (N) 2'x2' washable suspended acoustical tile with heavy duty grid system as specified.  
Lighting: (N) 2'X2' fluorescent

**END OF OUTLINE FINISH SCHEDULE**

Note:

1. Historic materials to be re-installed are cataloged and stored in basement and 1<sup>st</sup> floor.
2. Remove existing deteriorated protective materials at historic floors, stairs, walls, etc. and install new protection which will be removed prior to refurbishment and/or re-installation of historic materials.





## FEATURES & SPECIFICATIONS

### INTENDED USE

The Avante 2x2 is an indoor lighting luminaire for private and open offices, circulation areas, classrooms, libraries, cafeterias, airport ticketing, waiting areas and numerous other commercial applications. Static or air functions available. **Certain airborne contaminants can diminish integrity of acrylic.** [Click here for Acrylic Environmental Compatibility table for suitable uses.](#)

### CONSTRUCTION

Housing is gloss white enamel on cold rolled steel. All edges hemmed or rounded. All shieldings pivot on light traps and swing down for easy lamp access. Molded light traps prevent light leaks between shielding and endplates. All air and screw slot units supplied with screw-on tee bar clips. Ballast access is from below.

### OPTICAL SYSTEM

Twin matte white polyester powder paint finished reflectors provide uniform light distribution. Optional low brightness diffuse aluminum stepped reflectors available. All diffusers control direct light distribution and glare by shielding lamps from direct view.

Metal diffuser staggered round holes (MDR) 52% open perforated metal with .075" diameter holes backed with white acrylic diffuser.

Straight blade louver (SBL) sides of perforated metal with staggered round holes and solid blade louvered center. Sides and louver backed with white acrylic diffuser.

Metal diffuser aligned mini slots (MDM) 46% open perforated metal backed with white acrylic diffuser.

Acrylic diffuser prismatic lens (ADP) extruded acrylic lens backed with white acrylic diffuser.

Metal diffuser with center slots (MDC). 52% open metal, .075" diameter holes with 1" wide solid center. With 1/2"x2" open slots. Diffuser is backed with white acrylic overlay.

### ELECTRICAL SYSTEM

All ballasts supplied are class P, thermally protected, resetting, HPF, non-PCB, UL Listed, CSA Certified. Ballasts are sound rated A. Standard combinations conform to UL 935. All T5 and T5HO ballasts are program start.

Step-level dimming option allows system to be switched to 50% power for compliance with common energy codes while maintaining fixture appearance.

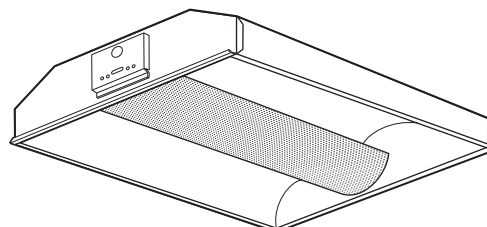
The two-lamp F14T5 configurations is available with SIMPLY5™ lighting intelligence. S5 option available for use with SIMPLY5 lighting intelligence system. See 2AV-2x2-T5\_S5 and SYNERGY® Lighting Controls specification sheets for more information.

Catalog Number	
Notes	Type
<b>2'x2' FLUORESCENT FIXTURE</b>	<b>A</b>

- Open Office Areas  
- Enclosed Offices

*Avante*<sup>®</sup>  
Recessed Direct/Indirect Lighting

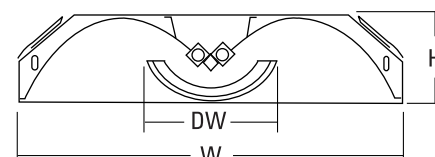
# 2AV 2'x2'



Linear Fluorescent  
T5 or T5HO  
1, 2 or 3 lamps

### Specifications

Length: 24" (602)  
Width: 24" (602)  
Diffuser Width: 8" (203)  
Depth: 5-1/2" (140)



All dimensions are inches (millimeters).

**SIMPLY5™**  
LIGHTING INTELLIGENCE

### INSTALLATION

Trims available for standard 1" and 9/16" tee bar or screw slot grids. Fixtures can be row mounted end-to-end. Drywall ceiling adapters available.

### LISTING

UL Listed to US and Canadian safety standards. Chicago Plenum approved and NYC approved (see Options). Specifications are subject to change without notice.

**Avante is covered by one or more of the following patents: 5,988,829; 399,586; 411,641; 413,402; 2,212,513; 87,513.**

## ORDERING INFORMATION

For shortest lead times, configure product using **standard options (shown in bold)**.

Example: 2AV G 2 24T5HO MDR MVOLT GEB10PS

<b>2AV</b> Series <b>2AV 2' wide</b>		Number of lamps 1 2 3 Not included.		Lamp type 14T5 14W T5 (22") <b>24T5HO 24W T5HO (22")</b>		Voltage 347 <b>MVOLT<sup>2</sup></b> Others available.		Options	
Trim type <b>G Grid trim</b> ST Screw slot		Air function (blank) <b>Static (no air function)</b> A Air return/supply		Diffuser <b>MDR Metal diffuser, round holes</b> SBL Straight blade louver, round holes MDM Metal diffuser, mini slots ADP Acrylic diffuser, linear prismatic lens MDC Metal diffuser, round holes with large center slots <sup>1</sup> Others available.		<b>GEB10PS Electronic ballast, ≤ 10% THD, program start</b> GEB115 1.15 ballast factor <sup>3</sup> GEB115S 1.15 ballast factor, step-dim <sup>3</sup> S5 0.95 ballast factor, SIMPLY5 system <sup>4</sup> ALG Acrylic litter guard <sup>1</sup> <b>EL14 Emergency battery pack (nominal 390-700 lumens, see Life Safety section)<sup>5</sup></b> HW Hardwire for SIMPLY5™ system; replaces RELOC® GLR Internal fast-blow fuse <sup>6</sup> LP_ Lamped. Specify lamp type and color <b>PWS1836 6' prewire, 3/8" dia., 18-gauge, 3 wires</b> NYC New York City approved QFC Quick-Flex® cable CP Chicago Plenum approved APB Air pattern control blades <sup>1</sup>			
<b>DGA22</b> Drywall ceiling adapter, unit installation. Use G trim plus DGA accessory for fixture trim flange and fixture support in plaster or plasterboard ceilings.		Accessories Order as separate catalog number.						<b>Reflector option</b> ASR Aluminum stepped reflector	

### NOTES:

- 1 Refer to options and accessories section for more detailed information.
- 2 MVOLT (120 - 277 volt).
- 3 For two-lamp 14T5 only.
- 4 SIMPLY5 system includes 13' S5 RELOC® wiring system. Specify voltage unless HW (hardwire) or PWS1836 is ordered. For two-lamp 14T5 only.
- 5 Not available in Canada.
- 6 Must specify voltage, 120 or 277.

## FEATURES & SPECIFICATIONS

### INTENDED USE

Specification premium, high performance static T8 luminaires provide general illumination for recessed applications; ideal for schools, hospitals and other applications where fixture depth is a requirement.

### ATTRIBUTES

Designed exclusively for use with T8 lamps, electronic ballasts and sockets.

### CONSTRUCTION

Smooth hemmed fixture sides and ends for easy handling. Integral T-bar clips secure fixture to T-bar system. Housing formed from cold-rolled steel. Acrylic shielding material 100% UV stabilized.

Steel door frame has superior structural integrity with premium extruded appearance and precision flush mitered corners. Steel door allows easy lens replacement without frame disassembly (for lenses up to .156" thick). Door frame assemblies hinge or latch from either side of fixture. Powder-painted steel latches provide easy, secure door closure. Spring-loaded cam latches standard.

No asbestos is used in this product.

### FINISH

Five-stage iron-phosphate pre-treatment ensures superior paint adhesion. Painted parts finished with high-gloss, baked white enamel.

### OPTICAL

Broad range of lens options available to meet specific performance requirements.

### ELECTRICAL SYSTEM

Thermally-protected, resetting, Class P, HPF, non-PCB, UL Listed, CSA certified ballast is standard. Energy-saving and electronic ballasts sound rated A.

Luminaire is suitable for damp locations. AWM, TFN or THHN wire used throughout, rated for required temperatures.

### LISTING

UL Listed (standard). Optional: Canada CSA or C-UL. Mexico NOM.

### WARRANTY

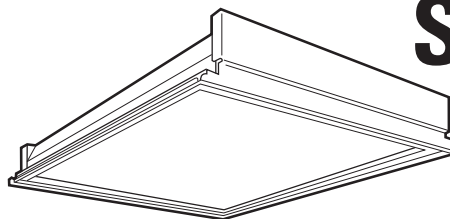
Guaranteed for one year against mechanical defects in manufacture.

NOTE: Specifications subject to change without notice.

Catalog Number	
Notes <b>2'X2' FLUORESCENT</b>	Type <b>B</b>

### Specification Premium T8 Troffer

# SP 2'X2'



Compact Fluorescent,  
Straight and U Lamps  
2, 3 or 4 Lamps  
CF, TT5 or T8 Only

- Serrery, Kitchen
- Basement Programmed Spaces
- Utility Corridors
- Unassigned Space
- Coffee / Copy
- 9th Floor

#### Specifications

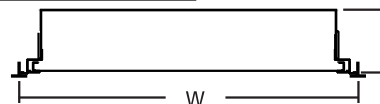
Length: 24 (610)

Width: 24 (610)

Depth: 4-1/2 (114)

Weight: 16 lbs (7 kg)

All dimensions are inches (millimeters).



## ORDERING INFORMATION

For shortest lead times, configure product using **standard options (shown in bold)**.

Example: 2SP G 2 U316 A12125 MVOLT GEB10IS

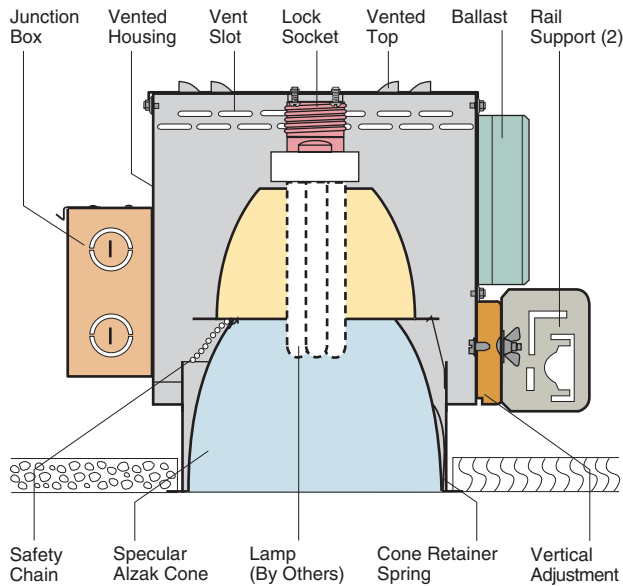
### 2SP

Series	Number of lamps	Lamp type	Door frame	Voltage <sup>1</sup>	Options
2SP 2' wide	2 3 4 Not included.	<b>17 17W T8 (24")</b> <b>U31 31W T8 (24")</b> <b>U316 31W T8 (6" leg, 24")</b> <b>CF40 40W TT5</b>	(blank) <b>Flush steel, white</b> FN Flush aluminum, natural FM Flush aluminum, matte black <b>FW Flush aluminum, white</b> RN Regressed aluminum, natural RM Regressed aluminum, matte black <b>RW Regressed aluminum, white</b>	120 277 347 <b>MVOLT</b> Others available.	<b>1/4 One 4-lamp ballast</b> <b>1/3 One 3-lamp ballast</b> <b>GEB10IS Electronic ballast, ≤10% THD, Instant Start</b> <b>GEB10RS Electronic ballast, ≤10% THD, Rapid Start</b> <b>EL Emergency battery pack (nominal 300 lumens)</b> GLR Internal fast-blow fuse <sup>2</sup> GMF Internal slow-blow fuse <sup>2</sup> LST Tandem-wired fixture pairs (shared ballasts) <b>PWS1836 6' prewire, 3/8" dia., 18-gauge, 1 circuit</b> <b>LP735 Lamped; 700-series, 3500K</b> LP__ Lamped, specify lamp type and color PAF Painted after fabrication (white enamel) LASC LA school safety cable JP Job pack without individual cartons, G trim only <b>CSA CSA Certified</b> NOM NOM Certified
Trim type					Diffuser type
<b>G Grid</b> <b>F Overlapping flanged</b> MT Modular fit-in					<b>A12 #12 pattern acrylic</b> <b>A12125 #12 pattern acrylic, 0.125" thick</b> <b>A19 #19 pattern acrylic, 0.156" thick</b> A15 #15 pattern acrylic, 0.200" thick PC1S 1/2" x 1/2" x 1/2" plastic cube silver louver PC2S 1-1/2" x 1-1/2" x 1" plastic cube silver louver PC3S 3/4" x 3/4" x 1/2" plastic cube silver louver

#### NOTES:

1 MVOLT standard for 120V and 277V applications. Some options require voltage specified.

2 Must specify voltage.



**P926** One 26W or 32W Triple Tube Lamp  
**P927** One 42W Triple Tube Lamp

**P51**

Medium Beam  
 5 7/8" Conoid Apertures

- Toilet Rooms
- Corridors, Elevator Lobbies
- Conference Rooms
- Offices

**Optics and Applications**

Distribution from a single vertically mounted triple tube lamp is for general lighting. Spacing to mounting height ratios range from .93 to 1.11 depending upon which lamp is mounted. Use in corridors, entries, work stations or open area lighting in low to medium height ceilings.

**Design Features**

The two reflector optical system is protected by a rigid steel housing which keeps the reflectors in proper relationship to each other. The twist and lock socket prevents the lamp from falling if it is not properly engaged. It is a dependable fail-safe mechanism to prevent injury and litigation. Maximum ceiling thickness is 2". Ballast and lamp service from below.

**Finish**

Specular clear Alzak cones are standard. Optional colors and Softglow® finishes are available. Housings and structural parts are painted optical matte black to suppress stray light leaks. Steel parts are phosphate conditioned for corrosion resistance before painting.

**Ballasts**

Fully electronic, microprocessor controlled with variable starting current for inrush protection to assure rated lamp life. Input voltage ranges from 120V through 277V. Power factor .98, starting temperature 0° F (-18° C), THD < 10%. Pre-heat start < 1.0 second. End of lamp life protection. Rated for > 50,000 starts.

**General**

Fixtures are pre-wired, UL and C-UL listed for eight wire 75°C branch circuit wiring. Union made IBEW. Luminaire Efficiency Rating (LER) data is in the photometric directory located in Section Z.

**Accessories**

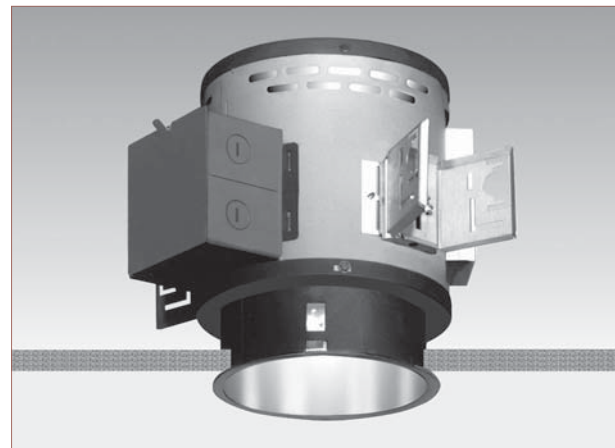
- G Gold cone.
- H Mocha cone.
- P Graphite cone.
- T Titanium cone.
- W Wheat cone.
- Y Pewter cone.
- Z Bronze cone.
- S Softglow® finishes: add S before color letters. e.g. SW for Softglow® wheat cone, SC for Softglow® clear cone.
- R2 26" support rails.
- R5 52" support rails.
- WT White trim flange.
- WHT White complete trim.
- V347 347 volt ballast.
- F Fuse.

- DM Dimming ballast. Specify watts and volts.
- EM Emergency power includes integral charger light and test switch visible through aperture. Single lamp operation for 90 minutes. Specify volts.
- WRL Wattage restriction label, specify wattage.

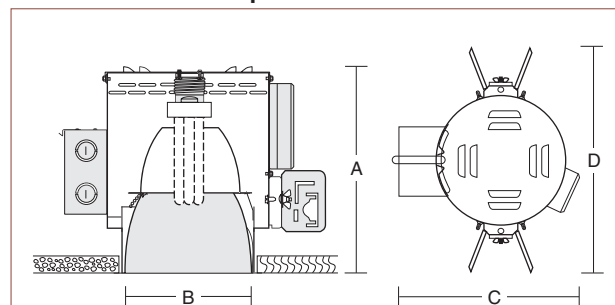
**Matching Units**

- Medium wide beam [Page P52](#)
- Wall washers [Pages P61, P62, P63](#)

\*\* Click for link to pages in blue.



**Dimensions and Lamps**



Number	A Depth*	B Aperture	C Width	D Length	Lamps
P926	9 3/4" 248mm	5 7/8" 149mm	10 1/2" 267mm	13 1/4" 337mm	26W or 32W Triple Tube
P927	10 1/4" 260mm	5 7/8" 149mm	10 1/2" 267mm	13 1/4" 337mm	42W Triple Tube

\*Recess depth increases to 12 1/2" with EM and DM accessories.

# TYPICAL FLUORESCENT WALL WASHER TYPE C1

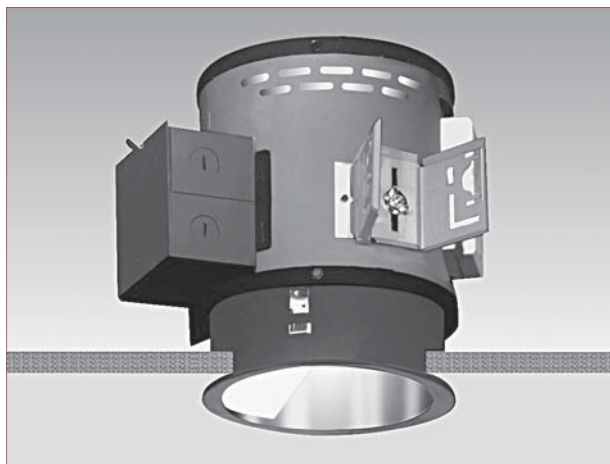
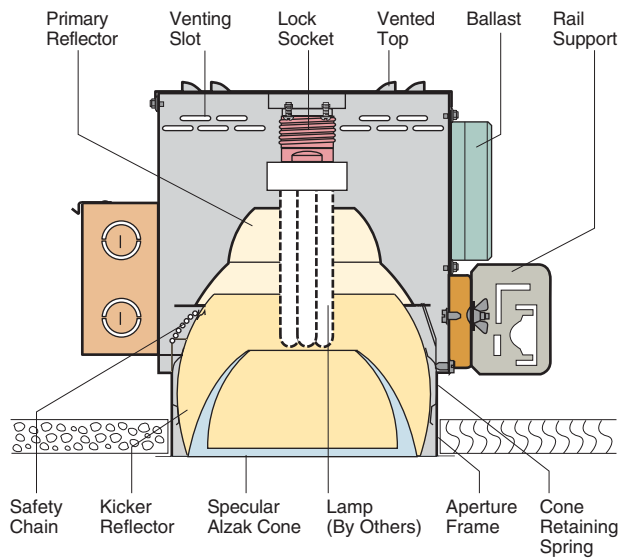
**P905** One 26W or 32W Triple Tube Lamp

**P63**

**P915** One 42W Triple Tube Lamp

Wall Washers  
5 7/8" Conoid Aperture

- Conference / Office



## Optics and Applications

Full circle kicker reflectors direct a uniform wash light to adjacent walls. The pattern is free from spikes, striations or dropouts and features wide lateral distribution. The downlight component is uniform with a soft edge to blend with nearby units. Use in low to medium height ceilings.

## Design Features

Steel housings protect the reflectors which are joined to each other for predictable performance. The turn and lock socket prevents the lamp from falling if it is not properly engaged. It is a dependable fail safe mechanism to prevent injury and litigation. Cone and window assembly may be rotated 360° after installation. Vented air flow design assures cool fixture temperature for optimal lamp performance. Maximum ceiling thickness 2". Ballast and lamp service from below.

## Finish

Specular clear Alzak cones are standard. Optional colors and Softglow® finishes are available. Housings and structural parts are painted optical matte black to suppress stray light leaks. Steel parts are phosphate conditioned for corrosion resistance before painting.

## Ballasts

Fully electronic, microprocessor controlled with variable starting current for inrush protection to assure rated lamp life. Input voltage ranges from 120V through 277V. Power factor .98, starting temperature 0° F (-18° C), THD < 10%. Pre-heat start < 1.0 second. End of lamp life protection. Rated for > 50,000 starts.

## General

Fixtures are pre-wired, UL and C-UL listed for eight wire 75°C branch circuit wiring. Union made IBEW. Luminaire Efficiency Ratings (LER) do not apply to wall washers.

## Accessories

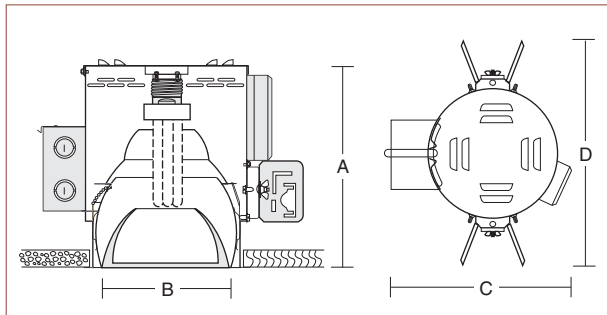
- |   |                |      |                      |
|---|----------------|------|----------------------|
| G | Gold cone.     | R2   | 26" support rails.   |
| H | Mocha cone.    | R5   | 52" support rails.   |
| P | Graphite cone. | WT   | White trim flange.   |
| T | Titanium cone. | WHT  | White complete trim. |
| W | Wheat cone.    | V347 | 347 volt ballast.    |
| Y | Pewter cone.   | F    | Fuse.                |
| Z | Bronze cone.   |      |                      |

- S Softglow® finishes: add S before color letters. e.g. SW for Softglow® wheat cone, SC for Softglow® clear cone.
- DM Dimming ballast. Specify watts and volts.
- EM Emergency power includes integral charger light and test switch visible through aperture. Single lamp operation for 90 minutes. Specify volts.

WRL Wattage restriction label, specify wattage.

- L Limited wall wash.
- D Double wall wash.
- C 250° corner wall wash.

## Dimensions and Lamps



Number	A Depth*	B Aperture	C Width	D Length	Lamp**
P905	9 3/4" 248mm	5 7/8" 149mm	10 1/2" 267mm	13 1/4" 337mm	26W or 32W Triple Tube
P915	10 1/4" 260mm	5 7/8" 149mm	10 1/2" 267mm	13 1/4" 337mm	42W Triple Tube

\* Recess depth increases to 12 1/2" with EM and DM accessories.

\*\*For proper focal position for 26W lamps, add 26W to catalog number.

## Matching Units

Medium beam downlight

Medium wide beam downlight

Wall washers

Page P51

Page P52

Pages P61, P62

\*\* Click for link to pages in blue.



Kurt Versen Company

Point Source Lighting  
Westwood, New Jersey 07675

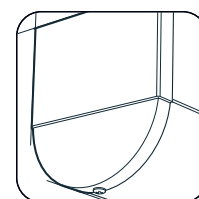
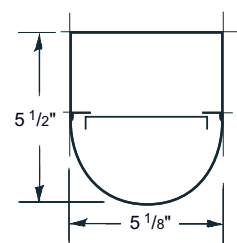
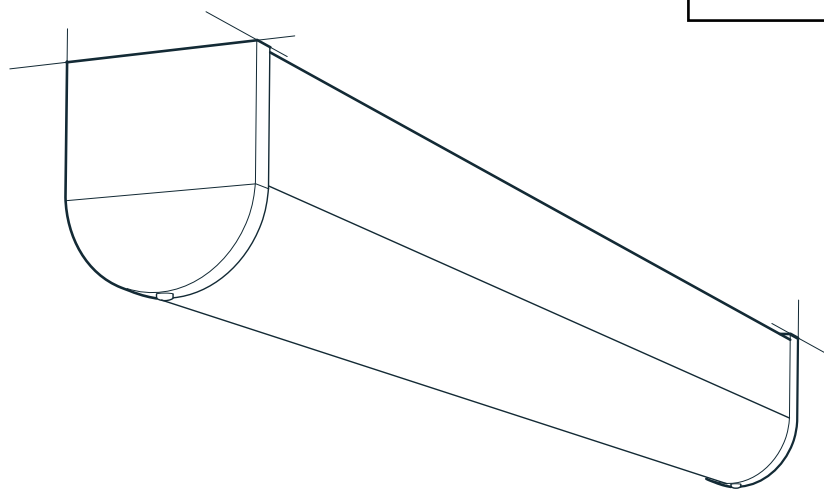
Type  
 Job Name  
 Catalog Number

# UTILITY FIXTURE

# TYPE D

**P5160** Special Applications

- As Required at Mechanical, Electrical, Plumbing
- Janitor's Closets
- Exit Stairs



## ordering

series	lamp rows	nominal length	shielding	color/finish	voltage	options
P5100 damp	1T8	02'	WA* white acrylic diffuser	TMW textured matte white	120	AL
P5160* wet	2T8	03'	HWA high-impact white acrylic diffuser	YGW* gloss white	277	EML-DL*
		04'		Y__ premium color	347	EMH-DL*
		06'		CC custom color	UNV*	DM
		08'	*standard	*standard	*120-277	RSE
						10THD
						B__
						FH
						TRS
						*consult factory for fixture lengths < 4'

**Applications** Stairwells, under canopies, locker rooms, warehouses, parking garages.

**Features** A heavy-duty, surface-mounted radial lens luminaire suitable for both indoor or outdoor under-canopy applications. It offers an available aluminum housing as well as tamper-resistant screws.

**Construction** The housing, available in 2-, 3-, 4-, 6- or 8-foot standard lengths, is made of die-formed, 20-gauge steel finish plates. An aluminum body is also optional.

**Finish** The standard exterior body color is gloss white (YGW) or optional textured matte white (TMW) using polyester powder paint. Refer to **Controls & Options Section** for paint colors.

**Electrical** T8 fixtures have instant-start electronic ballasts with less than 20% THD. P5100 is U.L. Damp labeled (non-emergency); P5160 is U.L. Wet labeled (non-emergency) for under covered ceiling applications and I.B.E.W. manufactured. Maximum ballast size available: 2 3/8" width x 1 1/2" height.

**Mounting** Fixture is to be surface- or wall-mounted.

**Options** **AL**: aluminum body; **EML-DL**: emergency battery (600-700 lumens); **EMH-DL**: emergency battery (1100-1400 lumens); **DM**: dimming (consult factory); **RSE**: rapid-start electronic; **10THD**: ballast with < 10% total harmonic distortion; **B\_**: specific ballast, specify manufacturer and catalog number (consult factory); **FH**: fixture fusing (slow blow); **TRS**: tamper-resistant screws.

0710 P5100



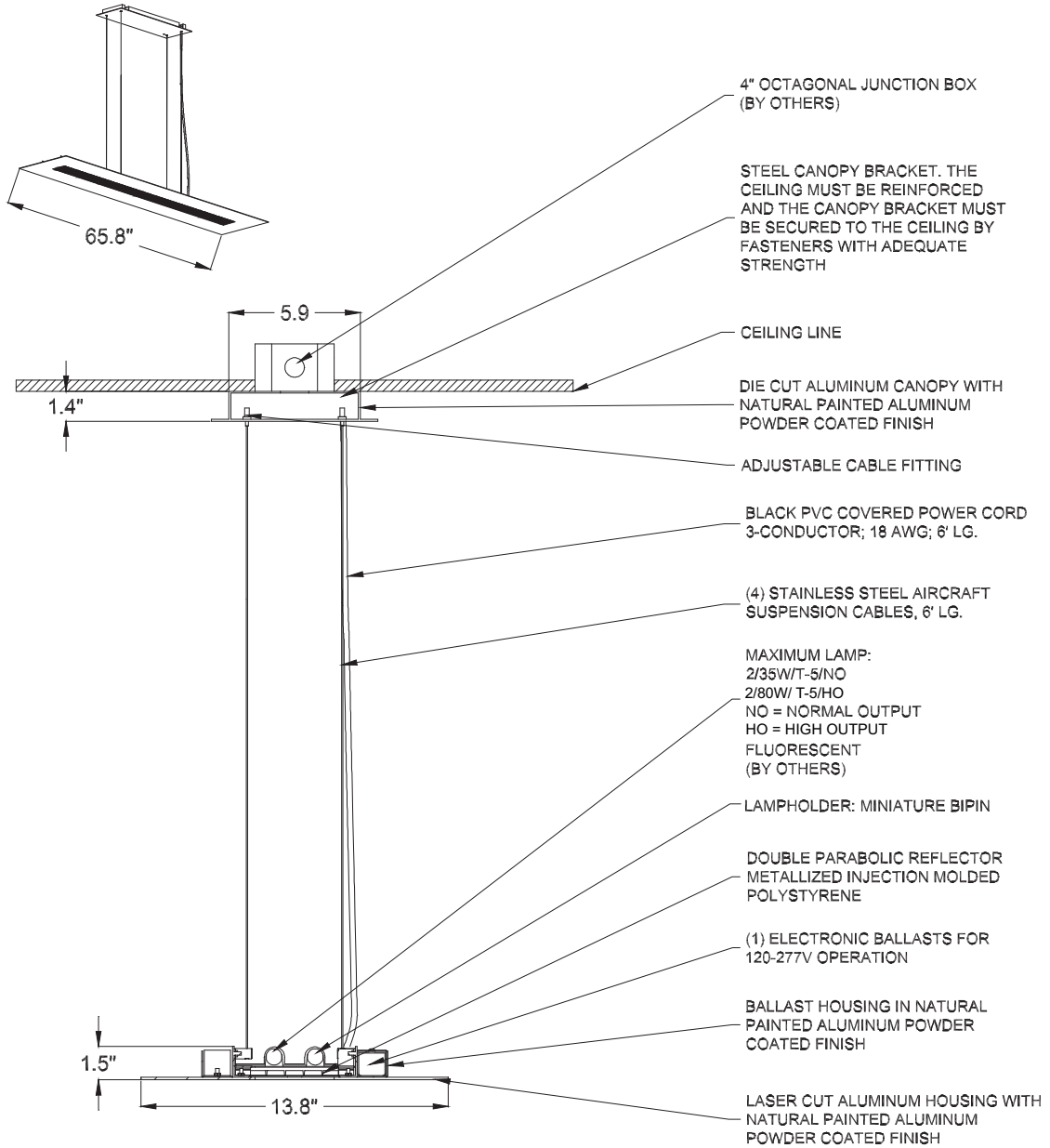
# Reduced

Design: Reiner Bender

Type:

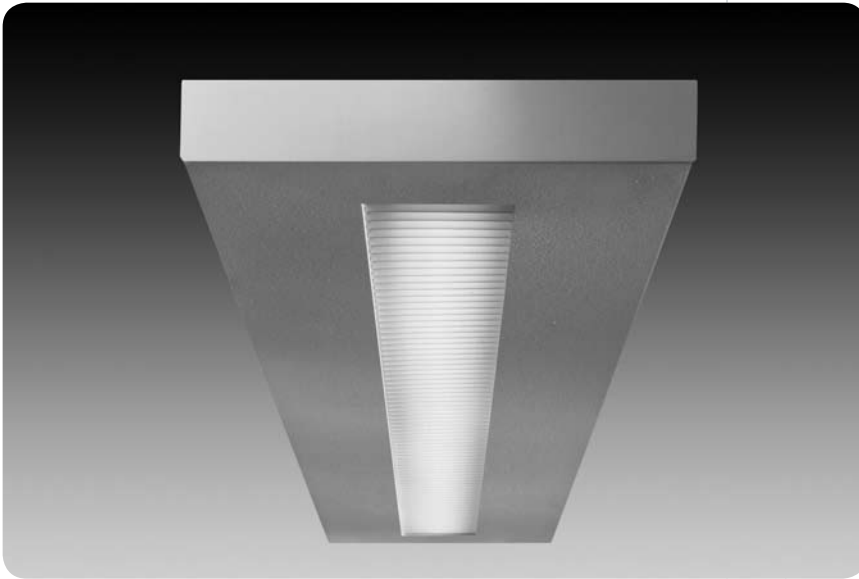
Project:

Catalog Number:





louver/indirect  
**twelve™**



Covered by the following U.S. Patents: 5,733,028; 5,914,487; 5,967,652; 6,043,873; 6,064,061; 6,088,091; 6,238,077; 6,266,136; 6,334,700.

**features**

Suspended direct/indirect ideal for low ceiling applications.

Twelve™ delivers 70% indirect/30% direct illumination.

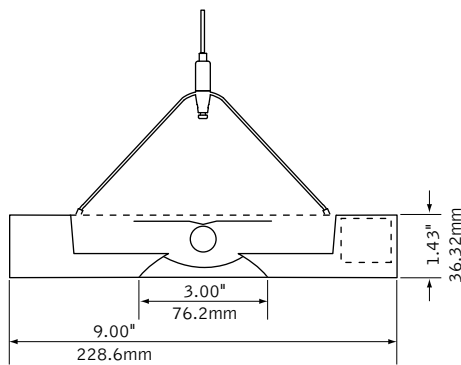
The CU Filter precisely controls lamp brightness above the fixture to allow for 12" suspension lengths.

Sleek rectilinear design adds clean style to any space.

Parallel blade louver with acrylic lens diffuser provides comfortable downlight shielding.

Excellent choice for lower ceiling applications and areas where ceiling uniformity is important.

**dimensional data**

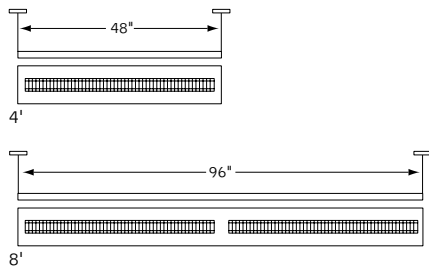


**lampping options**



T5/T5H0 LAMPS

**fixture information**



**shielding options**



solid indirect



louver



daylight /  
occupancy sensor

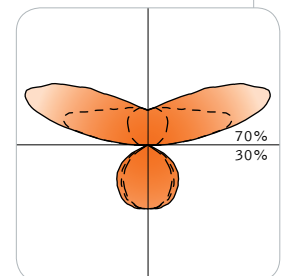
**companion luminaire**



wall mount

**performance**

1-Lamp T5H0  
90% Efficiency  
1264 cd @ 115°



Visit [focalpointlights.com](http://focalpointlights.com) for complete photometric data.

## FEATURES & SPECIFICATIONS

### INTENDED USE

T5 linear direct fluorescent intended for use in low-profile commercial, retail, manufacturing, warehouse, cove and display applications.

### ATTRIBUTES

Designed exclusively for use with T5 lamps, T5 sockets and T5 electronic ballasts.

### CONSTRUCTION

Housing formed from cold-rolled steel. No asbestos is used in this product. Heavy-duty 20-gauge channel.

Extended-height end caps retain and support sockets. Compact T5 socket features rotating collar and enclosed contacts.

### FINISH

High-gloss, baked white enamel finish. Five-stage iron-phosphate pretreatment ensures superior paint adhesion and rust resistance.

### OPTICAL SYSTEM

A variety of optical assemblies are available. See the MS5-Reflector or MS5-Louver spec sheets.

### ELECTRICAL SYSTEM

Thermally protected, resetting, Class P, HPF, non-PCB, UL Listed.

Suitable for damp locations. AWM, TFN or THHN wire used throughout, rated for required temperatures.

### INSTALLATION

Labor-saving coupler supplied for row mounting. Numerous knockouts for easy installation. Surface-mount or suspended.

### LISTING

UL Listed and CSA Certified (see Options).

### WARRANTY

Guaranteed for one year against mechanical defects in manufacture.

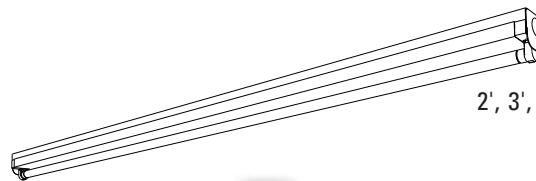
*Specifications subject to change without notice.*

Catalog Number	
Notes <b>COVE LIGHTING</b>	Type <b>G</b>

- Toilet Rooms
- Elevator Lobbies
- 8th Floor, as indicated

Low-Profile T5 Direct Channel

# MS5



2', 3', 4' or 8' Lengths  
1 or 2 Lamps

**T5**  
Technology

### Specifications

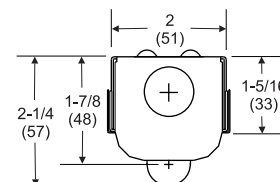
Length: 22-7/16 (569), 34-1/4 (869), 46-1/16 (1169) or 92-1/16 (2337)

Width: 2 (51)

Depth: 2-1/4 (57)

Weight: 4.8 lbs (2.2 kg)

**SIMPLY5™**  
LIGHTING INTELLIGENCE



## ORDERING INFORMATION

Example: **MS5 1 54T5HO MVOLT GEB10PS**

MS5					
Series	Number of lamps	Lamp type	Voltage	Options	
<b>MS5</b> T5 low-profile direct  For tandem double-length unit, add prefix T. <sup>1</sup> Example: TMS5	<b>1</b>  <b>2</b>  Not included.	<b>14T5</b> 14W T5 (22") <b>21T5</b> 21W T5 (34") <b>24T5HO</b> 24W T5 HO (22") <b>28T5</b> 28W T5 (46") <b>39T5HO</b> 39W T5 HO (34") <b>54T5HO</b> 54W T5 HO (46")	<b>347<sup>2</sup>, MVOLT<sup>3</sup></b> Others available.	<b>GEB10PS</b> Electronic ballast, <10% THD, program start <b>S5</b> 0.95 ballast factor SIMPLY5 system <sup>4</sup> <b>S5115</b> 1.15 ballast factor SIMPLY5 system <sup>4</sup> <b>GLR</b> Internal fast-blow fuse <sup>5</sup> <b>GMF</b> Internal slow-blow fuse <sup>5</sup> <b>PLF_</b> Plug-in wiring, specify 1, 2 or 3 branch circuits and hot wires ( <b>A</b> =black, <b>B</b> =red, <b>C</b> =blue, <b>AB</b> or <b>AC</b> ) <b>EL55</b> Emergency battery pack (nominal 390-700 lumens; see Fluorescent Battery Packs section) <sup>1, 5</sup> <b>CSA</b> CSA Certified	

### NOTES:

1 Only available with 28W and 54W.

2 Only available with 54W.

3 Available with GEB10PS only.

4 SIMPLY5 system includes 13' S5SSC RELOC® wiring system. Specify voltage unless hardware (HW) or PWS is ordered.

5 Specify voltage.

### Accessories

Order as separate catalog number.

**WGMS5Z** Wireguard, 4', zinc

**THMS5** Tong hanger

**1B** Ceiling spacer (adjusts from 1-1/2" to 2-1/2" from ceiling)

**SQ\_** Swivel stem hanger (specify length in 2" increments)



## FEATURES & SPECIFICATIONS

**INTENDED USE** — Suitable for architectural applications where aesthetics and superior performance are required.

**CONSTRUCTION** — High-polish, injection-molded virgin acrylic panel, ultrasonically welded to eliminate visible hardware. Graduated depth of molded letters provides uniform light distribution on graphics. Standard housing finish is brushed aluminum.

Precision-molded, textured letters – 6" high with 3/4" stroke. Chevron indicator direction must be specified.

Recessed rough-in section constructed of 20-gauge, die-formed galvanized steel. Extruded aluminum housing trim mounts flush onto wall or ceiling.

Mounting canopy for top mount is constructed of extruded aluminum to match housing finish.

**OPTICS** — LEDs mounted on printed circuit board. Expected LED life more than 25 years.

Low energy consumption – only 1.5W for 120V single-face red sign; 1.2W for 120V single-face green sign.

**INSTALLATION** — Recessed mount – universal rough-in section for back, ceiling or end mounting. Fits into minimum wall or ceiling opening 13-5/8" L x 4-1/2" W x 3-1/8" D. Adjustable T-bar hangers adapt mounting tray for mounting in suspended ceilings or variable-size framed openings. Trim ring has 3/4" variable depth adjustment to ensure flush fit against surface of wall or ceiling.

Plug-in wire connections and self-captive mounting screws for mounting panel/trim to rough-in section.

Top mount – low-profile mounting canopy attaches exit to J-box. No rough-in section required.

**LISTING** — UL listed. Meets UL 924, NFPA 101 (current Life Safety Code), NEC and OSHA illumination standards, and State of Minnesota requirements for less than 20W energy consumption. Listed and labeled to comply with Canadian Standards C-860 and C-22.2 No. 9 (see options).

**WARRANTY** — Five-year warranty, including lamps.

All life safety equipment, including emergency lighting for path of egress must be maintained, serviced, and tested in accordance with all National Fire Protection Association (NFPA) and local codes. Failure to perform the required maintenance, service, or testing could jeopardize the safety of occupants and will void all warranties.

Catalog Number	
Notes <b>EXIT SIGN</b>	Type <b>H</b>

**PRECISE**  
COLLECTION

Edge-Lit Exits

**LRP**

LED LAMPS RECESSED OR TOP MOUNT



## ORDERING INFORMATION

For shortest lead times, configure product using **standard options (shown in bold)**.

Example: LRP 2 RMR DA 120/277

LRP		Directional indicators <sup>3</sup>		Input voltage	Item type	Options <sup>8</sup>
Family <b>LRP LED</b>	Number of faces <b>1 Single face</b> <b>2 Double face</b>	(blank) <b>None</b>	<b>120/277 Dual voltage<sup>1</sup></b>	(blank) <b>Complete exit panel and rough-in section</b>	F1 Fire alarm interface <sup>1,3</sup>	
Housing color (blank) <b>Brushed aluminum</b>	Panel color letter/background	<b>LA Left<sup>4</sup></b>	120/347 Dual voltage <sup>6</sup>	<b>PNL Panel assembly only</b>	X2 Lamp boards wired on two separate circuits (specify 120V or 277V) <sup>1,3</sup>	
W White	RW Red on white	<b>RA Right<sup>4</sup></b>		(blank) <b>Recessed ceiling or back mount</b>	CSA Listed and labeled to comply with Canadian Standards	
B Black	<b>RC Red on clear (single face only)<sup>1</sup></b>	<b>LRA Left and right</b>		EM Recessed end mount		
BZ Bronze	<b>RMR Red on mirror<sup>1,2</sup></b>	<b>DA Double face<sup>5</sup></b>		TM Top mount <sup>7</sup>		
BS Polished brass	GW Green on white <sup>1</sup>					
CR Chrome	<b>GC Green on clear (single face only)<sup>1</sup></b>					
U Unfinished	<b>GMR Green on mirror<sup>1,2</sup></b>					

**NOTES:**

- 1 Not available with CSA option.
- 2 Simulates clear background for double-face exits.
- 3 See chart on back for more information.
- 4 Only available with single face.
- 5 Only available with double face.
- 6 Only available with CSA option.
- 7 No rough-in section required. Attaches directly to J-box.
- 8 When ordering recessed rough-in separately, all options must be included with rough-in nomenclature. Example: ELA LRIS 120 X2
- 9 Not available with top-mount exits.
- 10 Top-mount exits only.

**Accessories**

Order as separate item.

- ELA LCRIS LED rough-in section (supplied standard with recessed exit unless PNL suffix is specified; order ELA LCRIS only if needed for early installation)
- ELA US12<sup>10</sup> 12" pendant-mount kit. Mounting canopy is brushed aluminum. To order white or black canopy, add W or B to catalog number. Example: ELA W US12. To order 24" or 36" lengths, add 24 or 36 to catalog number. Example: ELA US24. See spec sheet ELA-StemKits.

Type No. \_\_\_\_\_

Catalog No. \_\_\_\_\_

Job. Name \_\_\_\_\_

# ProLyter PGQ Series

## Low-Profile Round Parking Garage Luminaire Featuring Philips LED Technology

**TYPE J**

**PARKING STRUCTURE -  
GENERAL LIGHTING**

### APPLICATIONS

- Parking Garage Lighting, Aisle Lighting, Soffits, Covered Walkways, Entranceways, Stairways, Service Stations, Freezers.
- Functions in environments with temperatures that range from -30°C to 40°C.

### CONSTRUCTION

- Precision die-cast aluminum housing.
- Corrosion-resistant Duraplex II wrinkle-bronze polyester powder coated finish standard.
- Optional designer finishes available. Consult factory.
- Hanger plate is fabricated from galvanized steel.
- All exposed hardware is corrosion resistant.
- Integral cast aluminum heat sink.
- Polycarbonate lens.



### ELECTRICAL

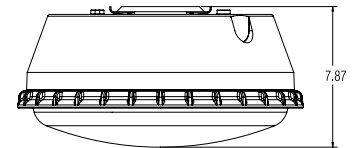
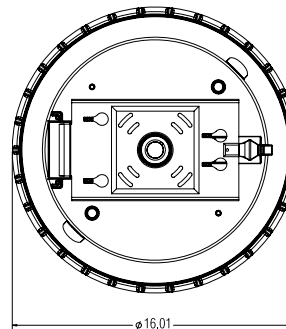
- Electronic class II LED driver accepts 120-277v, 50/60hz input (constant current).
- 054 LED consumes 95 watts (08 Driver).
- 054 LED consumes 70 watts (06 Driver).
- 049 LED consumes 102 watts (08 Driver).
- 049 LED consumes 72 watts (06 Driver).
- 030 LED consumes 70 watts (06 Driver).

### OPTICS

- High-output LEDs.
- Individual precision optics collect and redirect light to optimize performance.
- Patented LED optical system individually controls the placement of light in the target area minimizing glare.
- LEDs have an average rated life of 60,000 hours (L70).

### MOUNTING

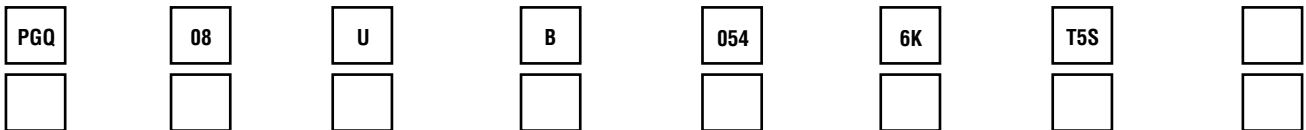
- Quick hanger plate attaches to 4" square or octagonal box.
- Fixture swings up and locks into place with single screw.
- Installation does not require opening fixture.



### WARRANTY/LISTINGS

- UL 1598 listed for wet locations.
- Published five year limited warranty.

Ordering Guide Example: PGQ08UB0546KT5S



Series	Driver	Voltage	Color	Board	Options	
PGQ ProLyter with quick hanger plate for J-box mounting	08 06 <sup>1</sup>	U- 120-277	B- Wrinkle Black W- Wrinkle White P- Wrinkle Bronze	LED # 054 049 030	Color Temp 6K 4K	Optics H2=Type II T5S=Type V Square
					HS- Hang Straight Consult factory for other options	

NOTE: Not for use in car washes.

<sup>1</sup> 06 Driver is reduced wattage on 049 and 054.

**Exceline**  
 2345 Vauxhall Road - P.O. Box 129  
 Union, NJ 07083  
 800-334-2212  
 www.exceline.com

Exceline is a Philips group brand

Product information is subject to change without notice



# OP2 Series

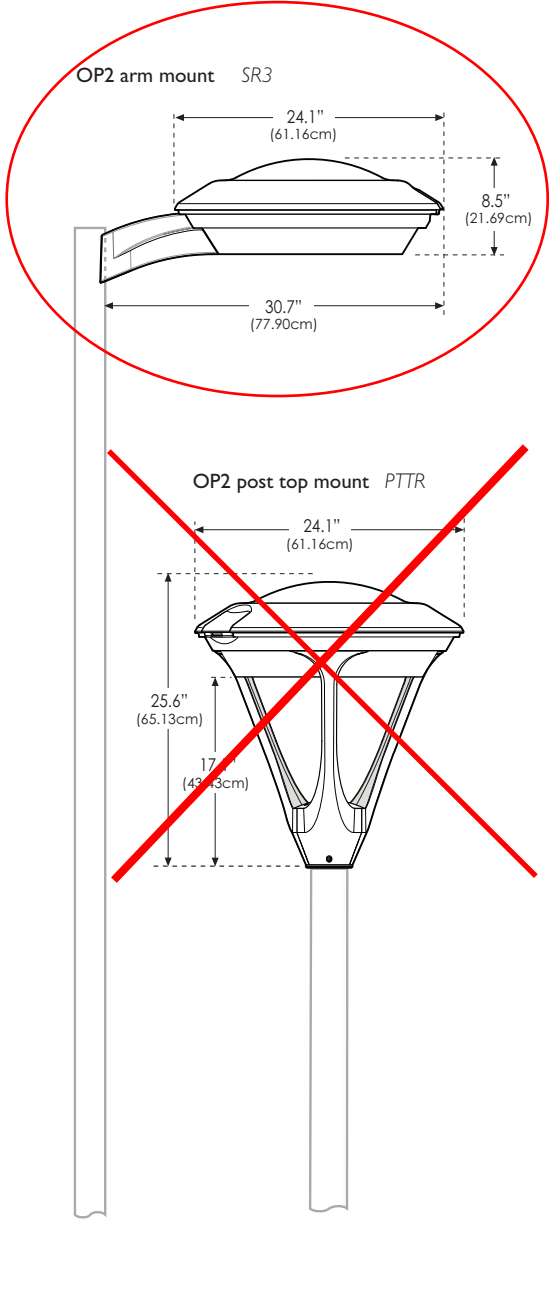
Optra-2 Area Luminaire, 70-200W HID

**TYPE K**

**PARKING STRUCTURE - ROOF DECK**

Type: <input type="text"/>	Job: <input type="text"/>	Approvals: <input type="text"/>						
Catalog Number: <input type="text"/>		Date: <input type="text"/>						
Series/Source-Wattage	Optics (Distribution)	Voltage	Ballast Type	Mounting	Options (Factory Installed)	Finish	Accessories (Field Installed)	Page 1 of 6

## Overall Dimensions For Reference Only



<b>Weight</b>	<b>arm mount</b>	<b>post top</b>
	40 lbs. (18.2 kgs)	43 lbs. (19.5 kgs)

EPA data shown on page 3.

## Specifications



### Housing

Die-cast aluminum housing with corrosion resistant hardware. The 200W max Optra® 2 is designed in a 24" optical housing that can incorporate either an electronic or magnetic ballast. Optic chamber constructed to IP65.

### Full Cutoff Optical System

Revolutionary patented optics design incorporates the advantages of vertical lamping with an innovative inverse conical lens to provide compliance with IES Full Cutoff definition in addition to unrivaled photometric performance. Optical lens employs collimating lens technology to capture and focus uncontrolled lumens back into the main beam while masking arc tube glare. Multi-faceted segmented reflectors shall be made of high purity, anodized "Super Sheet" aluminum with an inorganic dielectric coating, producing a minimum reflectivity of 94% for optimum efficiency. The optical head is equipped with an electrical disconnect and is fully gasketed to ensure Dust-Tite™ construction for higher maintained light levels. Symmetric pattern provides excellent spacing to mounting height ratios with very low glare. Asymmetric pattern provides directional spill light control, useful for perimeter areas. *Luminaire is Dark Sky Ordinance compliant.*

### Lamp Access

Spring loaded latch at side of upper optical housing allows toolless lamp access and assures proper resealing to maintain Dust-Tite™ construction.

### Lamp / Socket

A porcelain medium base socket, 4KV pulse rated, maintains proper photometric alignment. Pulse Start lamps required with electronic ballast. Medium base lamps required.

### Lens

Precision manufactured fully tempered inverse conical glass lens, in conjunction with the collimating optic lens, exceeds limitations of sag glass lens photometrics, which can provide no better than cutoff performance.

### Ballast Specification Overview

**Electronic Ballast units:** High frequency electronic ballast operation provides constant wattage regulation and features THD in the range of <10% to <15% with an optional low voltage (0-10v) dimming capabilities and is suitable for Pulse Start Metal Halide operation in an ambient temperature range of -30°C (-22°F) to 40°C (104°F).

**Magnetic Ballast units:** Ballasts shall be high power factor with reliable starting at temperatures as low as -34°C (-30°F) for Pulse Start Metal Halide, and -40°C (-40°F) for High Pressure Sodium. Crest factor does not exceed 1.8. Ballast has Class H, 180°C (356°F) rated insulation system.

### Mounting

Field installed surface arm mount shall be of die-cast aluminum for mounting to 3" to 5" O.D. round or square pole. Post top version mounts to a 2-3/8" O.D. x 4" vertical tenon.

### Finish

Standard finish shall be Textured Satin Aluminum UltraClad™ polyester powder coating, 2.5 mil nominal thickness, electrostatically applied and oven cured to ensure extreme durability. Other colors may be specified.

### Listings

ETL/cETL Listed luminaire, UL 1598, suitable for Wet Locations. The quality systems of this facility have been registered by UL to the ISO 9001 Series Standards.

### Warranty / Terms and Conditions

Standard 5 year limited warranty.

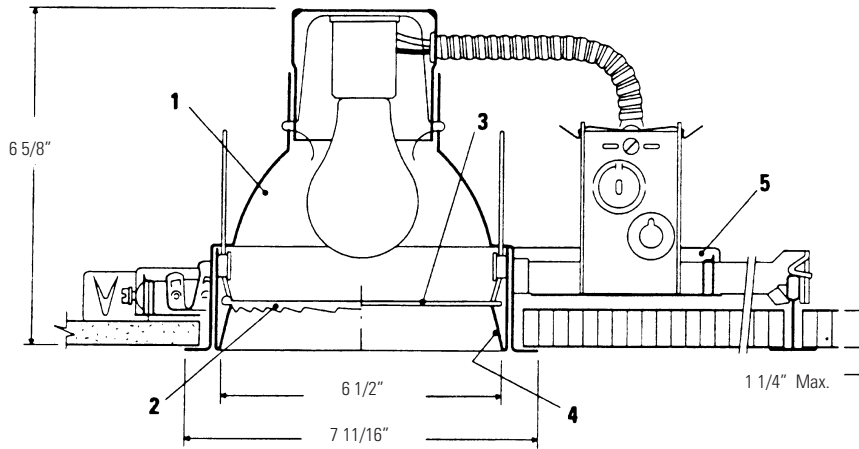
The current Philips Wide-Lite Warranty may be found at [www.wide-lite.com](http://www.wide-lite.com) (keyword: warranty) as well as the current Standard Terms and Conditions of Sale (keyword: terms).

*All sales of items in this catalogue shall be subject to the Philips Wide-Lite Standard Terms and Conditions of Sale current at the time of shipment. If you do not have a copy of the Philips Wide-Lite Warranty and Standard Terms, please contact the factory for same prior to ordering.*

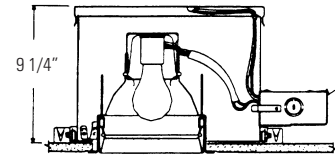


Some luminaires use fluorescent or high intensity discharge (HID) lamps that contain small amounts of mercury. Such lamps are labeled "Contain Mercury" and/or with the symbol 'Hg'. Lamps that contain mercury must be disposed of in accordance with local requirements. Information regarding lamp recycle and disposal can be found at [www.lamprecycle.org](http://www.lamprecycle.org).

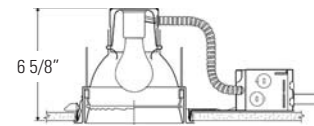
**TYPE M**  
**PARKING STRUCTURE - ELEVATOR LOBBY**



**1126/1102P1**  
Standard Incandescent



**1126/1100 DEEP IC Series**  
Incandescent Insulated Ceiling



**1126/1103R**  
**Lytefining™** Non-IC  
Remodeler Ring

Complete Fixture consists of Reflector Trim & Frame-In Kit. Select each separately.

Reflector Trim	Frame-In Kit — See Individual Frame-In Kit Specification Sheets							
	Incandescent				Fluorescent			
	Frame-In Kit	Ceiling Type	Lamping	Height	Frame-In Kit	Installation Type	Lamping	Height
1126 Fresnel Lenslite	<b>1102P1</b>	Non-IC	100W A19	6 5/8"	<b>1104F13 Series</b>	IC	(1) Triple 13W (GX24q-1)	7 1/2"
	<b>1103R</b>	Non-IC Remodeler		6 5/8"				
	<b>1100IC</b>	IC	60W A19	7 5/16"	<b>1104F18† Series</b>	IC	(1) Triple 18W (GX24q-2)	7 1/2"
	<b>1100AICM</b>	AirSeal® IC		7 5/16"				
	<b>1100DICM</b>	Deep IC		9 1/4"				
	<b>1100DAICM</b>	Deep AirSeal® IC		9 1/4"				
	<b>1104ICX/N</b>	AirSeal® IC	52W A19	7 1/4"	<b>1100FTU Series</b>	Non-IC	(1) Triple 26/32W (GX24q-3)	6 3/4"
	<b>1104IC/N</b>	Non-IC	60W A19	7 1/2"	<b>1100AICMFT</b>	AirSeal® IC	(1) Triple 26/32W (GX24q-3)	6 3/4"
					<b>1910XFH1</b>	Conversion Kit	(1) Quad 13W (GX23-2)	6 3/4"
					<b>1910XDH1</b>	Conversion Kit	(2) Quad 13W (GX23-2)	6 3/4"

† Use Upper Slot for 18W Triple Tube Lamp.  
‡ Use Upper Slot for 26W Triple Tube Lamp

### Features

- Reflector:** Hydroformed aluminum, .040 minimum thickness; Anobrite® (anodic-processed) semi-specular finish for permanent reflectivity; matte white trim flange.
- Lens:** Glass Fresnel Lens. Provides efficiency with brightness control. Regressed one inch (1") to minimize brightness at normal viewing angles.
- Lens Bezel:** Spun aluminum, .040" thick. Matte white finish.
- Frame-In Kit:** (1102P1 standard frame shown). Other frames listed above and shown on the right. See Frame-In Kit specification sheets for more details.

### Options & Accessories

**Retaining Clips:** 1955 - For installing in existing ceiling.

### Labels

U.L. (Suitable for Wet Locations - Covered Ceiling Only), I.B.E.W.  
‡ For 1126: Use Upper Slot for 26W Triple Tube Lamp.

Job Information	Type:
<b>Job Name:</b>	
<b>Cat. No.:</b>	
<b>Lamp(s):</b>	
<b>Notes:</b>	

631 Airport Road, Fall River, MA 02720 • (508) 679-8131 • Fax (508) 674-4710  
We reserve the right to change details of design, materials and finish.  
www.lightolier.com © 2009 Philips Group • E0209

# VLP SERIES 7" WIDTH

LOW PROFILE LINEAR



Specifier's Reference	
<b>Project</b>	<b>Type</b> <b>N</b>
<b>Catalog No.</b>	
<b>Comments</b>	
<b>PARKING STRUCTURE STAIR FIXTURE</b>	

## Specifications

- Housing:** Marine grade aluminum. Extruded backplate with architectural yet rugged die cast end caps. End caps available in round or square profiles.
- Lens:** Positive interlocking, extruded clear polycarbonate lens with integral linear prisms. High impact polycarbonate material is lighting grade and UV stabilized.
- Reflector:** Full reflector/wireway cover – 90% reflectivity
- Gasket:** Lens sealed to the housing ends with silicone sponge gasket.
- Fasteners:** Stainless steel center pin reject Allen-head standard. See fasteners list for alternatives.
- Lamps:** See ordering information for various lamping options. Lamps are supplied by others.
- Ballasts:** Standard Class P sound rated A electronic ballasts. Other ballast options available.
- Finish:** Housing and end caps are painted with a high quality semi-gloss Polyester Powder coat process. National Sanitation Foundation Approved. Textured white as standard with any RAL color available (see ordering information). Optional Agion® antimicrobial finish available.
- Mounting:** Ceiling, Wall, Corner or Pendant mount, single or continuous row options available. Additional hardware is needed for Corner and Continuous row installation (see Ordering Information below).
- Listings/Certifications:** ETL (US/Canada). Wet Location, ADA Compliant, NSF, IP55 rated, IBEW Union/Made in the USA.

## Ordering Information

**Example: VLP7 - R - 4 - 232 - EB - UNV - F1 - 1/2**

Series	Length	Lamp Type	Voltage	No. of Ballasts	Ends	No. Lamps/ Cross Section	Ballast Type	Fasteners	Options
<b>VLP7</b> – 7" Low Profile Linear	<b>2</b> – 2 feet <b>4</b> – 4 feet <b>8</b> – (2) 4 foot units field connected	<b>17</b> – 17wT8 (24") <b>32</b> – 32wT8 (48") <b>14</b> – 14wT5 (24") <b>28</b> – 28wT5 (48") <b>24HO</b> – 24wT5HO (24") <b>54HO</b> – 54wT5HO (48")	<b>UNV</b> – 120-277V <b>347</b> – 347V	<b>1/2</b> – One 2 lamp ballast <b>1/3</b> – One 3 lamp ballast <b>1/4</b> – One 4 lamp ballast <b>2/1</b> – Two 1 lamp ballast <b>2/2</b> – Two 2 lamp ballasts <b>2/3</b> – Two 3 lamp ballasts <b>1/21</b> – One 2 lamp & One 1 lamp ballast	<b>S</b> – Square Ends (standard) <b>R</b> – Round Ends	<b>1</b> – One lamp (not available in 8' units) <b>2</b> – Two lamps <b>3</b> – Three lamps (T5 and T8 only)	<b>EB</b> – Electronic Ballast <b>SB</b> – Specified Ballast	<b>F1</b> – Allen Head, Center Pin Reject, standard <b>F2</b> – TORX head, Center Pin Reject <b>SF</b> – Specified fasteners	<b>EMG1*</b> – Emergency Ballast (390-700 lumens) <b>EMG2*</b> – Emergency Ballast (600-1325 lumens) <b>NLF7*</b> – 7W PL Night Light (4' or 8' only) <b>GLR</b> – GLR Fusing <b>WO</b> – White Opal Polycarbonate Lens <b>NSF</b> – NSF Listed <b>AG</b> – Agion® Antimicrobial Protection on Painted Surfaces <b>PM</b> – Pendant Mount (Damp location only) (4' or 8' only, Pendant kit by others) <b>BK</b> – Black Finish <b>BZ</b> – Bronze Finish <b>CS</b> – Custom Color (Provide RAL#)

### Accessories

- Joiner-VLP7** – Joiner Band for Continuous Row Mounting (One joiner band needed to join two units in the field)
- VLP7-CMA-2** – 2ft. Corner Mount Adapter
- VLP7-CMA-4** – 4ft. Corner Mount Adapter
- VLP7-CMA-8** – 8ft. Corner Mount Adapter

### Continuous Row Mounting

- Add as option to end of catalog number
- RMB** – Beginning Luminaire (Incl. 1 Joiner Band)
- RMC** – Center Luminaire (Incl. 1 Joiner Band)
- RME** – End Luminaire (No Joiner Band)



\* Specify voltage



Catalog Number	
Notes <b>GENERATOR YARD</b>	Type <b>P</b>

## FEATURES

### INTENDED USE

Provides minimum of 90 minutes of illumination for rated wattage upon loss of AC power. Unique design for heavy and demanding industrial applications such as manufacturing plants, refineries, chemical plants, wastewater treatment facilities, food processing facilities, breweries, loading docks, and other applications subject to wash-down or industrial conditions. Superior performance lamp heads are ideal for higher mounting heights.

### CONSTRUCTION

**U.S. Patent No. D505,222 - Design patent.** Rugged, heavy-duty, polycarbonate clear housing lens and polycarbonate housing are sealed, gasketed, and corrosion-resistant. Unique vertical orientation is perfect for mounting to a pole, column, wall, I-beam or unistrut. Install with epoxy-coated, corrosion-resistant, 12-gauge steel mounting bracket shipped standard. Conduit entry points located on both sides of unit. **U.S. Patent No. 6,135,624 - mounting bracket utility patent.** Maintenance is easy with hinged front cover, printed circuit board mounting shelf and battery belt.

### LAMPS

**U.S. Patent No. 6,193,395 - lamp head utility patent.** Full range of lamp options available from 9W to 50W in sealed-beam or composite versions of incandescent, krypton or halogen lamps. Composite lamps feature unique field adjustable beam spread (by turning lamp bezel). Standard lamp is 9W krypton for 6V and 12V. Standard lamp is 18W incand. for 24V.

### BATTERY

Sealed, maintenance-free, lead-calcium battery with capacity of 18W to 125W for 90 minutes of emergency operation of 6V, 12V or 24V units.

Premium and Ultimate options offer high-temperature batteries (INDX618, INDX1236, INDX12100 only). UL listed from 0° C to 55° C (Premium) or -40° C to 55° C (Ultimate).

Low voltage disconnect prevents excessively deep discharge that can permanently damage battery.

### ELECTRONICS

Brownout protection is a standard feature of self-diagnostics.

AC/LVD reset prevents battery damage from deep discharge.

Current limiting charger.

Dual voltage input capacity (120/277V).

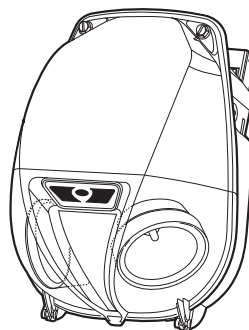
Thermal protection prevents overheating and charger failure.

Thermal compensation provides optimum charge voltage relative to ambient temperature.

## NEMA 4X Emergency Lighting Unit

# INDX

6, 12, or 24 Volts  
Sealed Lead-Calcium  
or Ni-Cad Battery



### DIAGNOSTICS (with Select, Premium and Ultimate packages)

**U.S. Patent No. 6,502,044 - Self-Diagnostics utility patent.**

Test switch provides manual activation of 30 second diagnostic testing (for on demand visual inspection).

Single multi-chromatic LED indicator displays two-state charging, test activation and three-state diagnostic status.

Self-diagnostic testing for five minutes every 30 days and 30 minutes every six months. Diagnostic evaluation of lamp, AC to DC transfer, charging and battery condition.

Load learning capability self-calibrates to DC load at first test, enabling it to detect a lamp failure on future tests. May be re-calibrated at any time by holding down test switch for 15 seconds.

### LISTING

UL Listed. Meets UL 924, UL50, NFPA 101, NFPA 70-NEC, and OSHA illumination standards. NEMA 4, 4X rated. IP66 and NSF Listed.

### WARRANTY

Three-year warranty.

## ORDERING INFORMATION

For shortest lead times, configure product using **standard options (shown in bold)**.

Example: INDX618

Family	Housing color	Lamp type (2 heads)	Option packages
6 Volts	(blank) <b>Gray</b> W White	6 Volts	(blank) <b>UL listed to 4X standards. For 10°C to 40°C (50°F to 104°F).</b>
<b>INDX618 18W</b>		PAR36 Composite	XTRA Extra package features remote test and time delay. UL listed for 10°C to 40°C (50°F to 104°F). <sup>3</sup>
<b>INDX654 54W<sup>1</sup></b>		(blank) <b>9W/6V krypton</b>	SEL Select package features self-diagnostics, time delay and audible failure indication. UL listed for 10°C to 40°C (50°F to 104°F).
INDX6100 100W		H1206 12W/6V halogen	PREM Premium package features high temperature ni-cad battery (INDX618 and INDX1236 only) or high-temperature lead-calcium battery (INDX12100 only), self-diagnostics, time delay, audible failure indication. UL listed for 0°C to 55°C (32°F to 131°F). <sup>4</sup>
12 Volts		H2006 20W/6V halogen	<b>ULT Ultimate package features heater, thermostat and battery blanket with a high temperature ni-cad battery (INDX618 and INDX1236 only) or a high-temperature lead-calcium battery (INDX12100 only), self-diagnostics, time delay and audible failure indication. UL listed for -40°C to 55°C (-40°F to 131°F).<sup>4</sup></b>
<b>INDX1236 36W<sup>1</sup></b>		12 Volts	
<b>INDX1254 54W<sup>1</sup></b>		PAR36 Composite	
INDX12100 100W <sup>2</sup>		(blank) <b>9W/12V krypton</b>	
INDX12125125W		H1212 12W/12V halogen	
24 Volts		H2012 20W/12V halogen	
INDX24100 100W		PAR36 Sealed-Beam	
		H3512S 35W/12V halogen	
		H5012S 50W/12V halogen	
		24 Volts	
		PAR36 Composite	
		(blank) 18W/24V incand.	
		H2024 20W/24V halogen	
		PAR36 Sealed-Beam	
		N5024S 50W/24V incand.	
			<i>Accessories</i>
			Order as separate items.
			ELA RTT Remote test transmitter <sup>3</sup> (for use with XTRA package, remote test option)
			ELA WG4/8 Wireguard
			ELA BS Banding strap
			ELA INDX CM2 Ceiling mount kit for INDX654/1236/1254

### NOTES:

- Ceiling-mount installations require ELA INDX CM2 mounting kits.
- INDX12100 available with either the PREM or ULT package only.
- Must order a Remote transmitter (ELA RTT) sold separately. One per job required.
- Only available on INDX618, INDX1236 and INDX12100.